



Level Railing Measurement Form

Instructions

In order to create your **Glass Railing system**, it is crucial that you provide our team with precise measurements of your existing staircase or space. Glass Railing is a sturdy, modern alternative to traditional railing systems and can be difficult to install if the hardware is not mounted accurately.

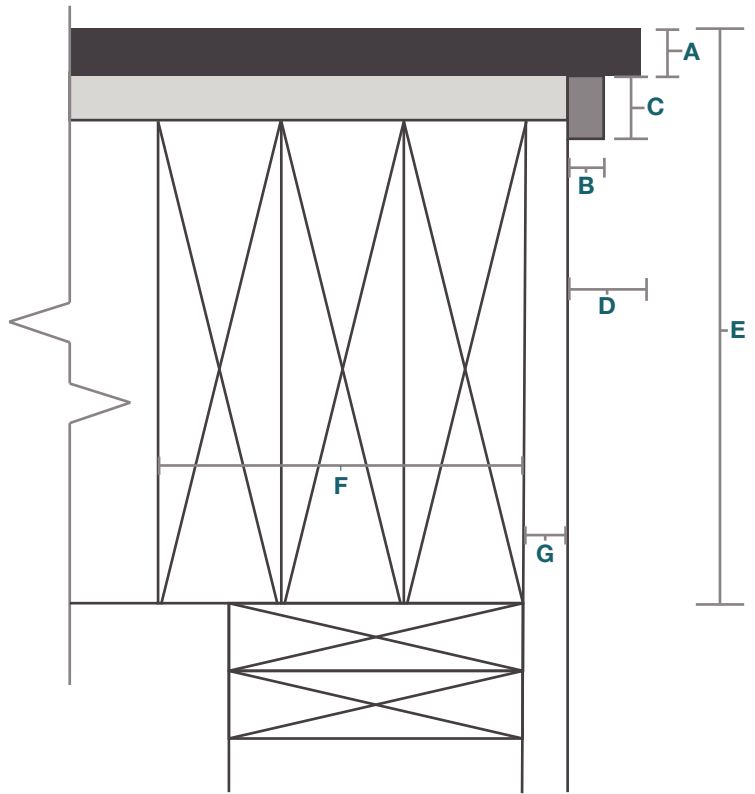
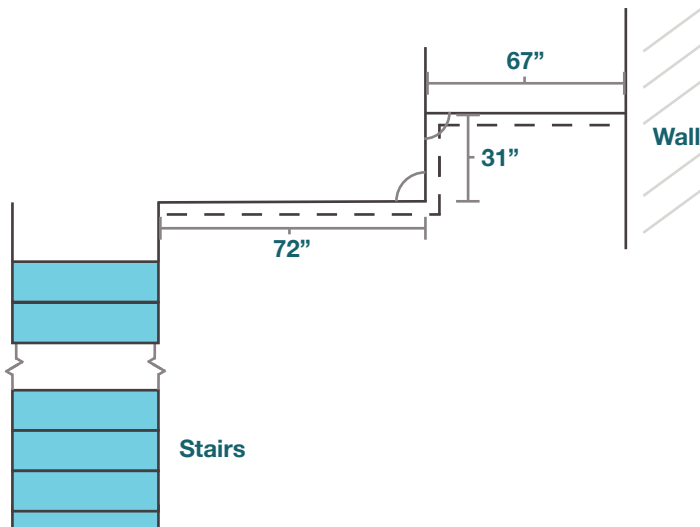
Please measure your existing structure as demonstrated by the following diagram and record each measurement on this form. If you have any questions, please **speak to your glass sales-team**, or give us a call at **+1 (574) 742-1030**. At **Viewrail**, we will always work with you to make your Glass Railing system the way **YOU** want it—we are happy to help however we can.

Field Measurements

- A: _____ Finished Floor Thickness
- B: _____ Trim Thickness
- C: _____ Trim Height
- D: _____ Overhang to Drywall
- E: _____ Finished Floor to Bottom of Rim Joist
- F: _____ Depth of Backing
- G: _____ Drywall Thickness
- _____ What is the material of the backing?

NOTE: In order to properly mount your Premium Glass Railing project, Viewrail recommends having, at minimum, a triple header for your backing.

Example Project



NOTE: When measuring your job, be sure to measure from finished surface (such as drywall) to finished surface (drywall), NOT floor edge to floor edge or trim to trim.