



Level Surface Mount Post Installation Guide



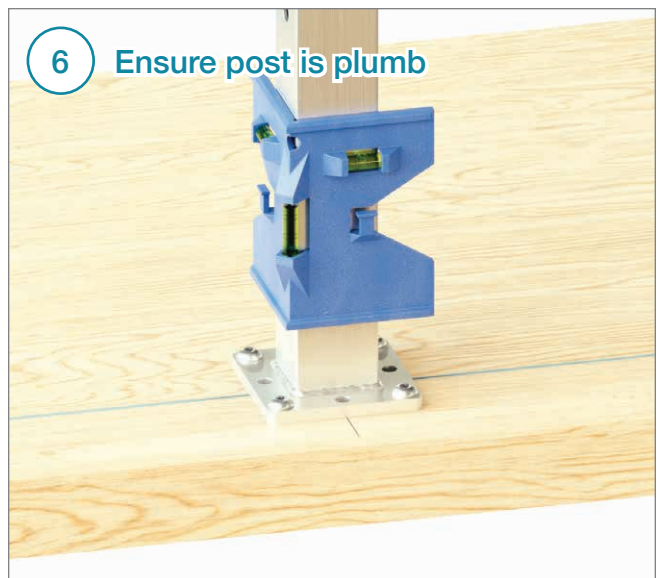
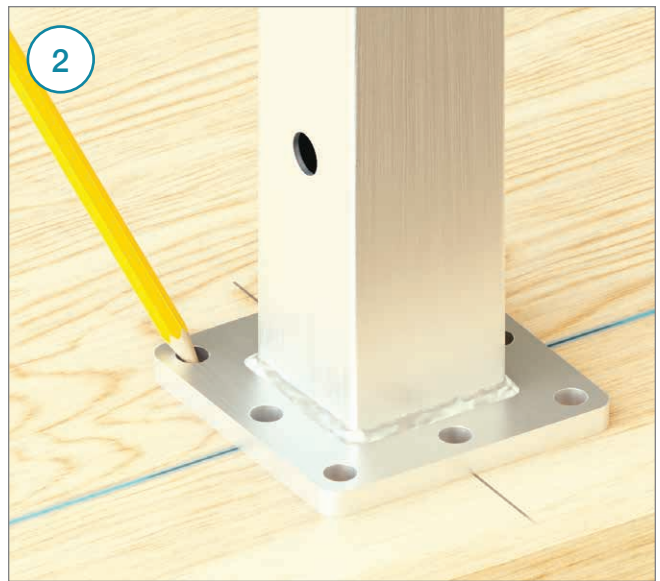
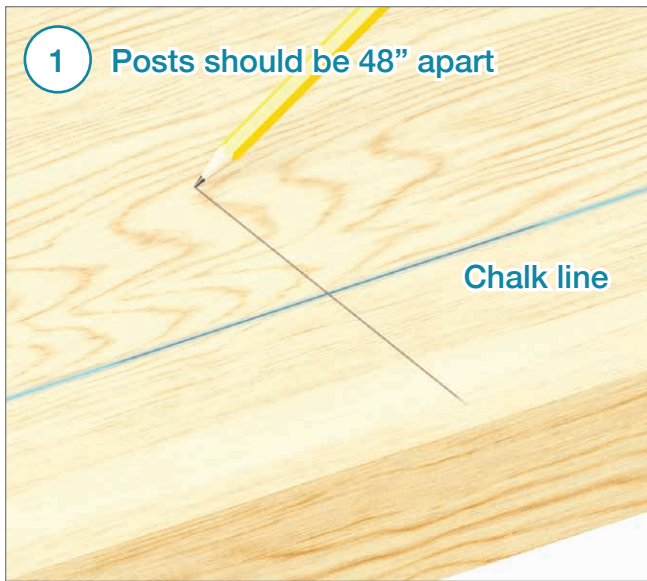
Before You Begin

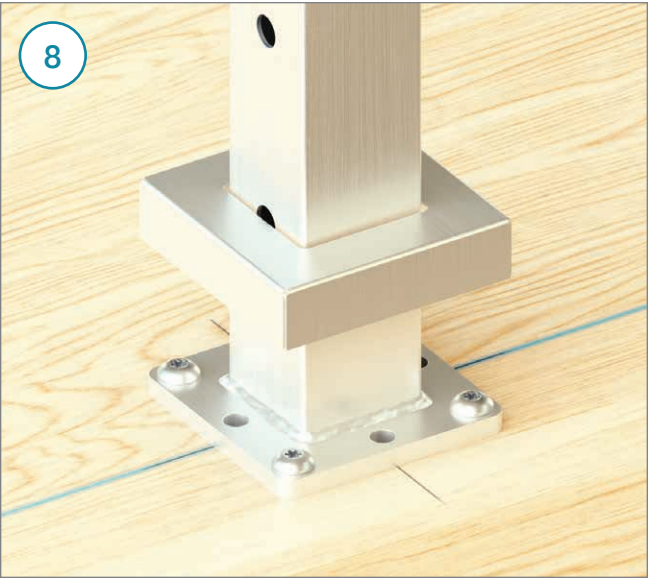
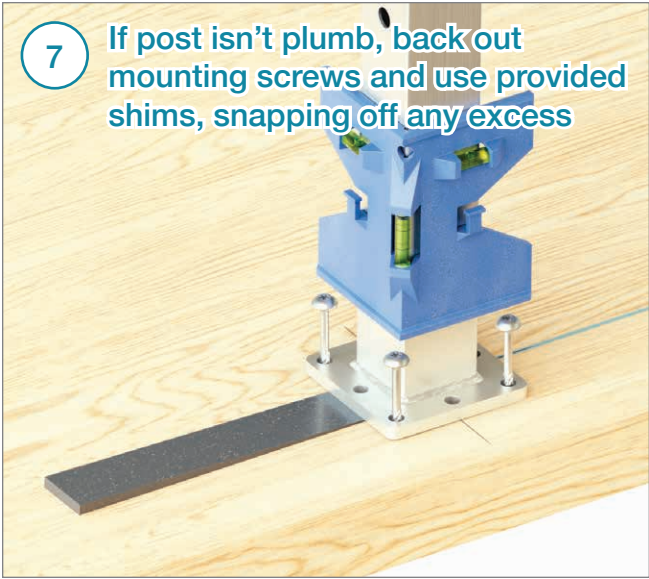
Ensure your mounting surface has sufficient backing. Viewrail recommends a minimum of 4 inches.

Items You'll Need

Power Drill
Post Level
Post Shims

For more information or installation help, go to www.youtube.com/Viewrail







Congratulations! Your Install is Done

We'd love to see your work! Snap a few pics with your phone and send them to pictures@Viewrail.com. Thanks for choosing Viewrail. Enjoy your new installation!