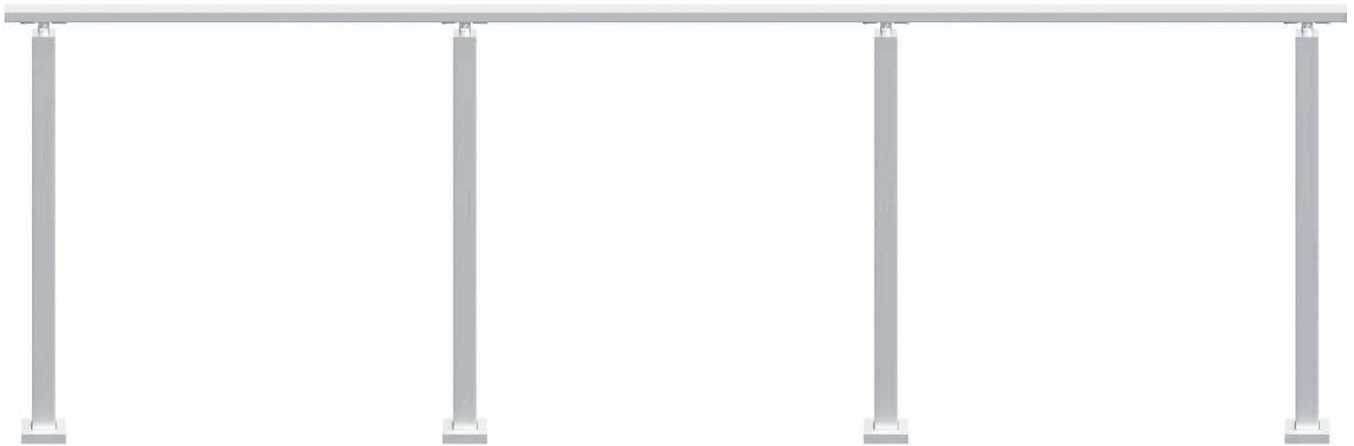




# Installation Guide: Metal Handrail with Universal Top Posts



## Before You Begin

Ensure that you install your handrail before installing any infill.

## Items You'll Need

Drill  
Clamps  
Mallet  
Saw

For more information or installation help, go to [www.youtube.com/Viewrail](https://www.youtube.com/Viewrail)

1 Cut handrail to correct length



2 Tap in end cap with a mallet



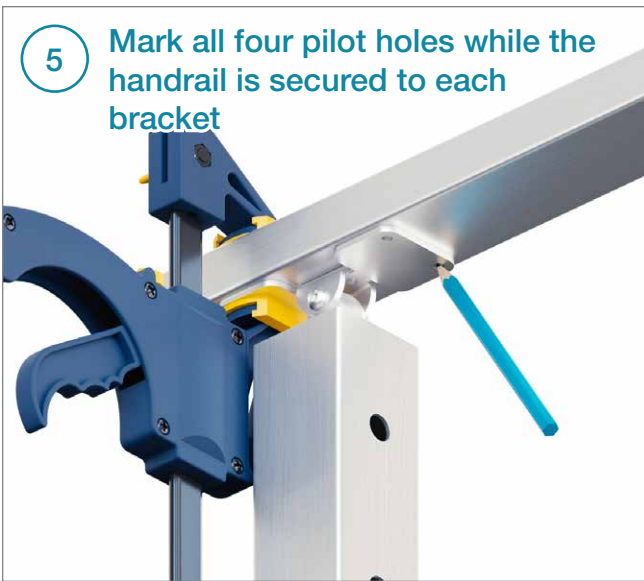
3



4



5 Mark all four pilot holes while the handrail is secured to each bracket

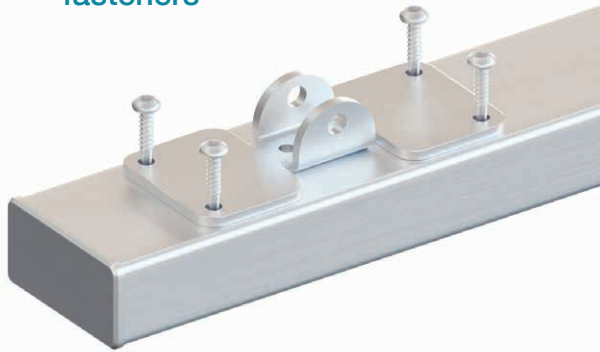


6



7

Drill 9/64" pilot holes, then populate using the provided fasteners



8





**Congratulations! Your Install is Done**

We'd love to see your work! Snap a few pics with your phone and send them to [pictures@Viewrail.com](mailto:pictures@Viewrail.com). Thanks for choosing Viewrail. Enjoy your new installation!