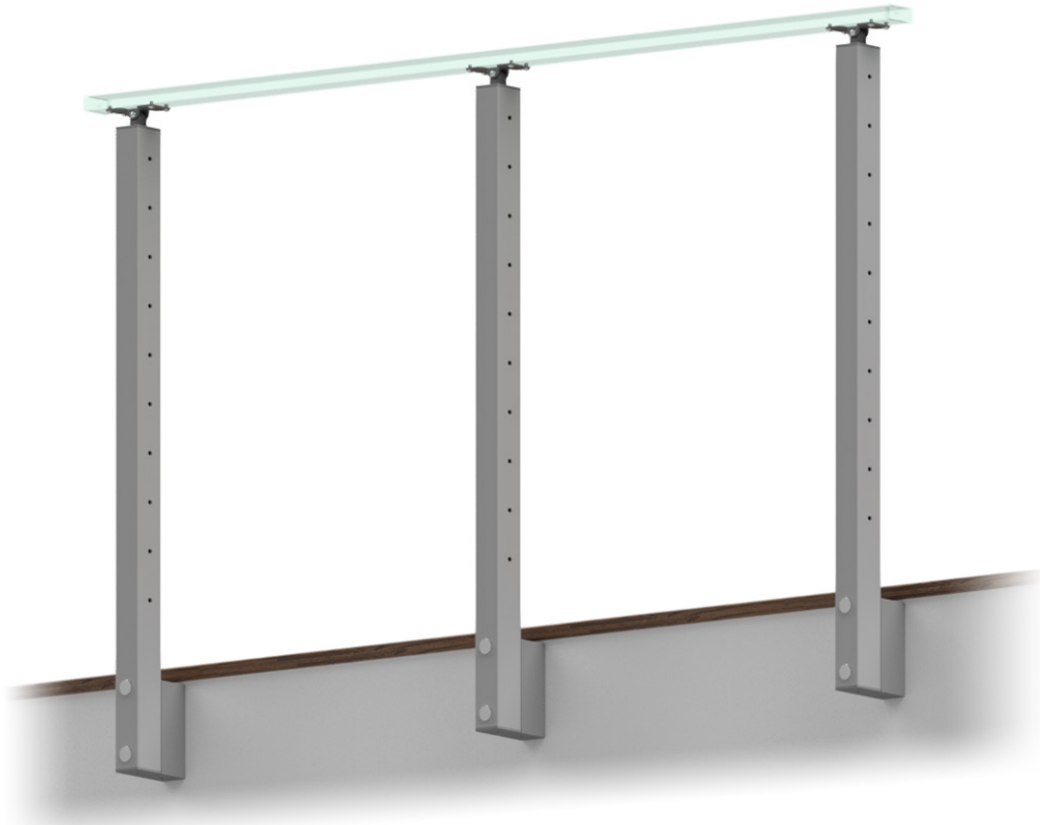




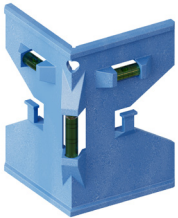
Bump Out Slim Side Mount Post Installation Guide

Look for this sticker on hardware bags

STRUCTURE



Tools Needed from the Installation Kit



Post Level

Other Tools and Supplies Not Included in the Installation Kit

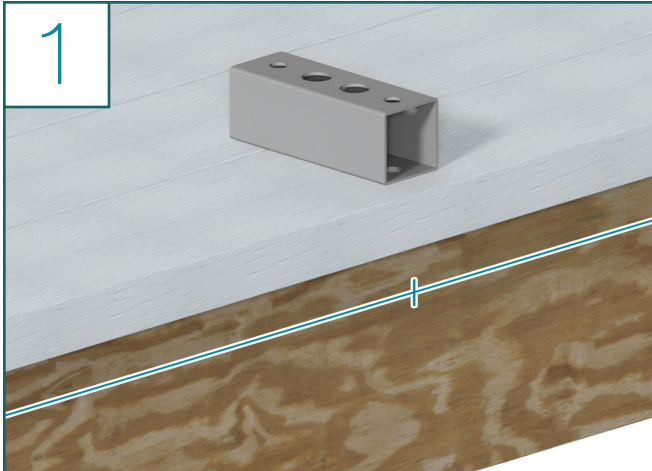
- Tape Measure
- Pencil
- Drill
- $\frac{3}{16}$ ", $\frac{1}{4}$ ", and $\frac{3}{8}$ " Drill Bits
- Dead Blow Hammer

Things to Know Before You Get Started

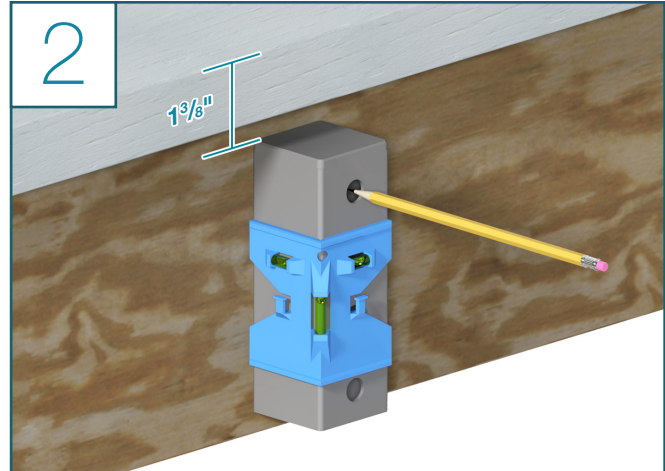
- Read over the provided material to identify post types
- Slim Side mounted posts require either double 2x8's where the post is fastened with the supplied 6" through bolts or triple 2x8's where the posts are fastened with the supplied 6" post mounting screws
- All posts are designed to be mounted to a non-compressible surface. They will not mount properly to drywall or carpet



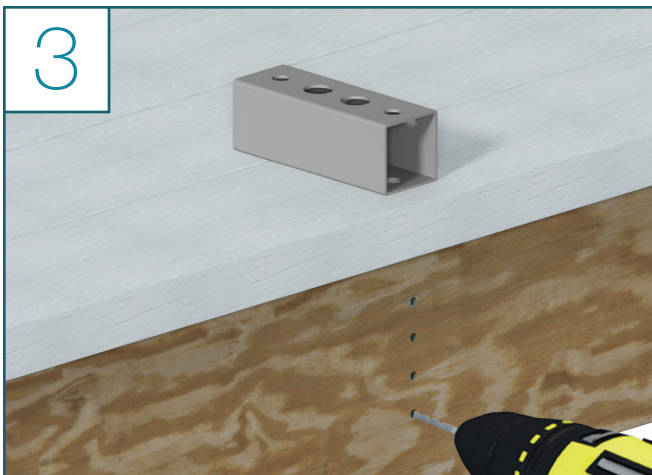
Bump Out Slim Side Mount Post Installation Steps



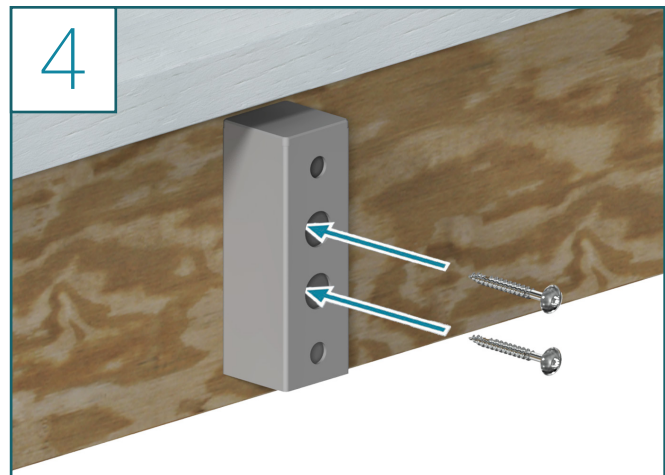
- Refer to your Layout Drawing to determine the mounting location for each of the posts
- It may be helpful to mark your top line



- Place your bump out body on the fascia board and mark for your pilot holes
- Use the post level to make sure the bump out is level
- Side mounted posts are designed for the top of the plate to mount $1\frac{3}{8}$ " beneath the surface of the flooring
- If you are mounting on a skirtboard / side of stairs, you will need to move the posts and mount wherever creates a 36" handrail height



- Drill a $\frac{3}{16}$ " pilot hole 2" deep for the two middle holes
- If you are using screws, drill a $\frac{1}{4}$ " pilot hole $4\frac{1}{4}$ " deep for the top & bottom holes
- If you are through bolting, drill a $\frac{3}{8}$ " hole all the way through doubled fascia boards for the top and bottom holes

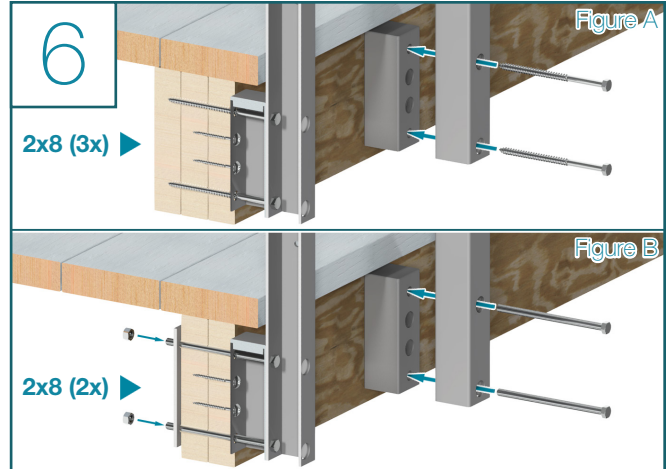


- Making sure the bump out is level, use your $2\frac{1}{2}$ " screws through the middle holes to fasten the bump out body to the fascia

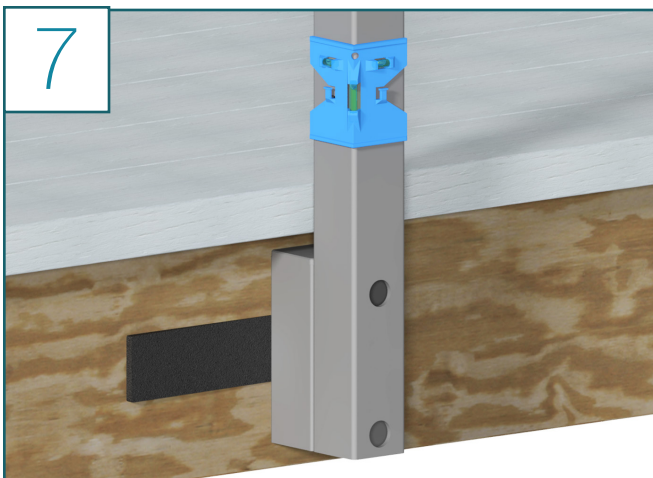
Bump Out Slim Side Mount Post Installation Steps (Continued)



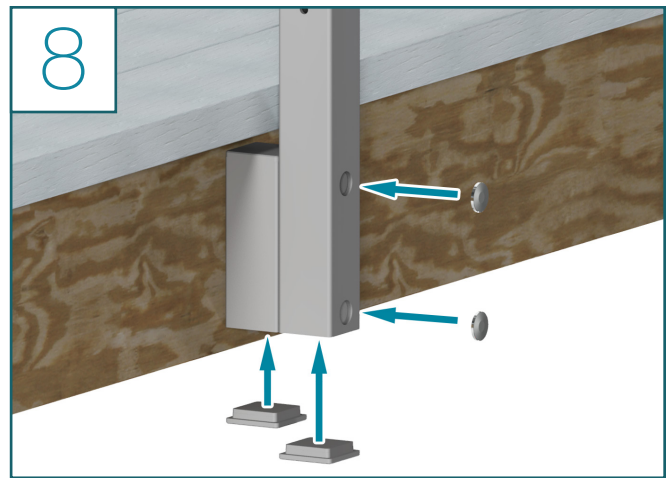
- Slide the Foam Insert into each post
- This ensures that the rods will not rattle & make noise



- Begin mounting your post against the Bump Out & into the fascia
- If mounting to tripled fascia boards (Figure A), use the 5" lag screws to fasten tightly in place
- If through bolting (Figure B), place the metal mounting plate on the back side of the fascia boards, run the 6" bolts through the material & fasten tightly with the provided nuts



- Use the post level to make sure the post is plumb
- If the post is not completely level or plumb, use the set of shims to adjust
- Once mounted firmly in place, break off any excess shimming



- Peel the adhesive backing off of the hardware cover caps and press into place
- Using a dead blow hammer, tap the end cap into the bottom of each post

Congratulations! You're done with this section.

We'd love to see your work! Snap a few pics with your phone and send them to pictures@viewrail.com. Thanks for choosing Viewrail. Enjoy your new installation!