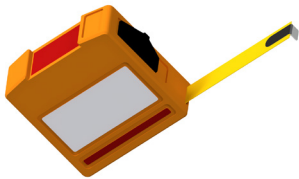


## Tools Needed for this Installation



Tape Measure



Pencil



Table Saw



Metal File



Scissors



Glass Cleaner



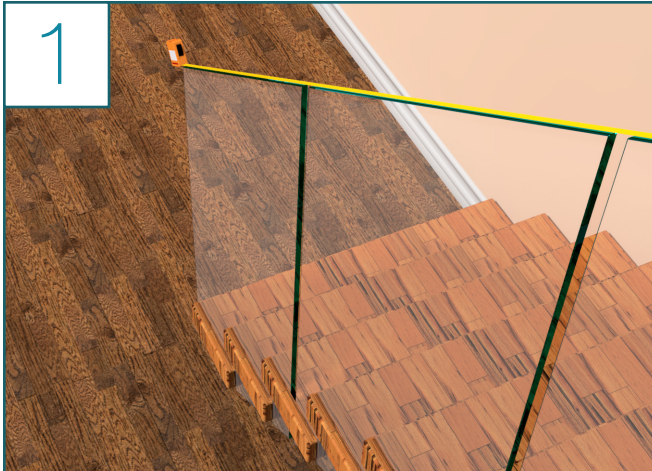
Epoxy

## Things to Know Before You Get Started

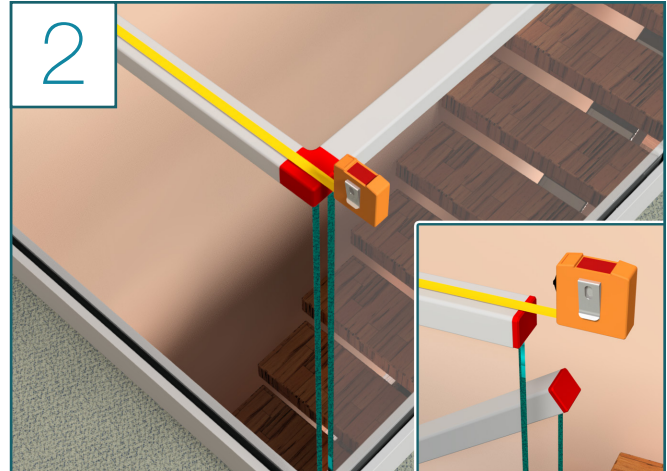
- Read over the provided material prior to the start of your installation



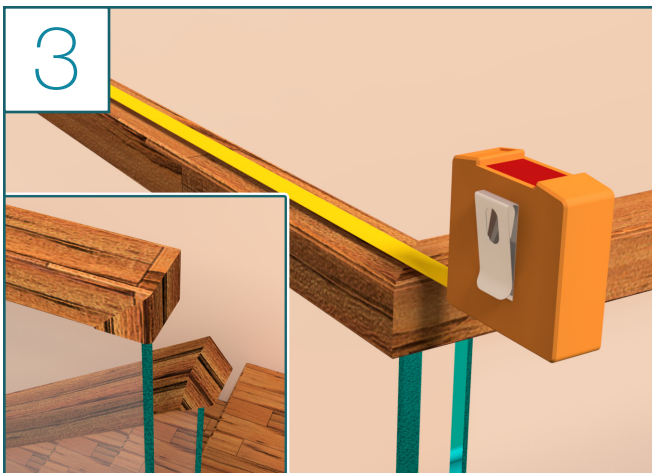
## Glass Cap Rail Installation Steps



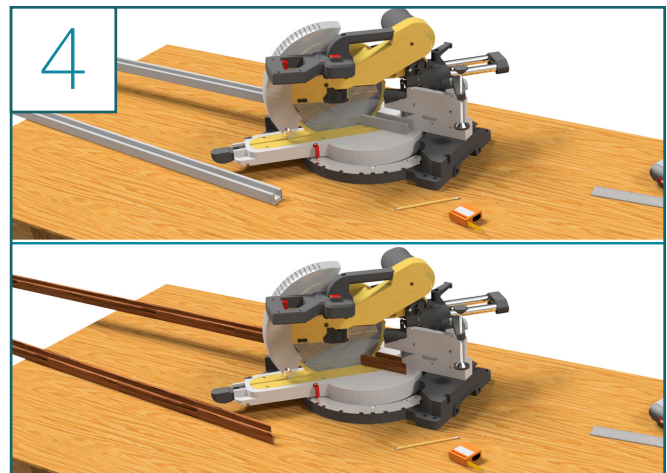
- Measure each run and select the Cap Rail relevant to the run you are working on
- Tip: If you are unsure of which piece goes where, work from the largest run to the smallest run and lay your pieces out until you have all of your runs covered
- Start measuring and marking your pieces of cap to the correct lengths



- When measuring corners, make sure you are accounting for and cutting for the 90 degree fitting
- When measuring end pieces, make sure you are accounting for a slight overhang of the glass where the end plug will fit

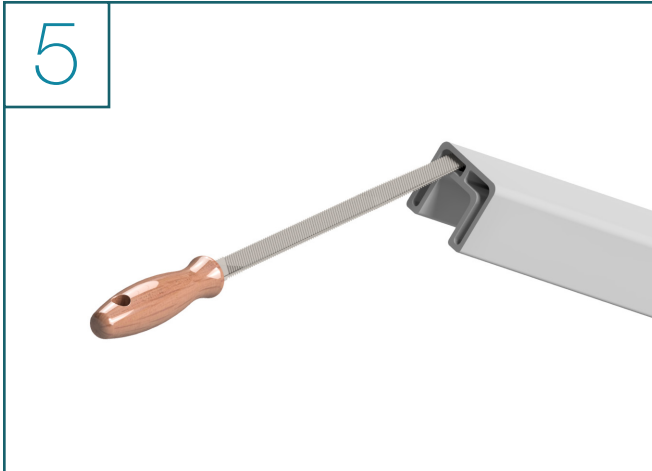


- When measuring corners, make sure you are accounting for and cutting for a 90 degree miter
- When measuring end pieces, it may be useful to cut and glue on a mitered piece to cover the end (see image above)

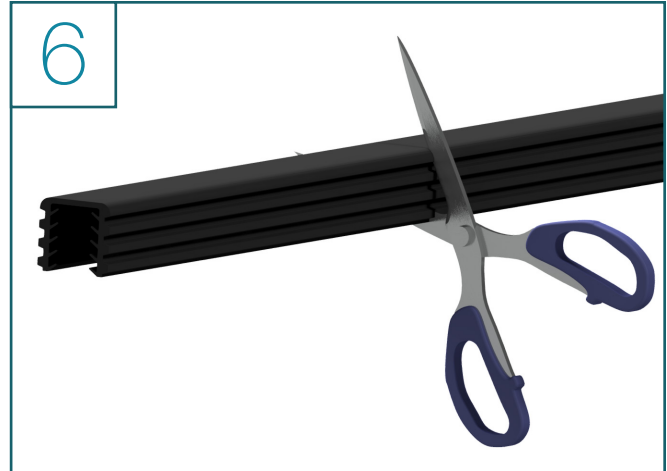


- Use the appropriate blade for cutting the Aluminum Cap Rail or Wood Cap Rail, and cut at your mark

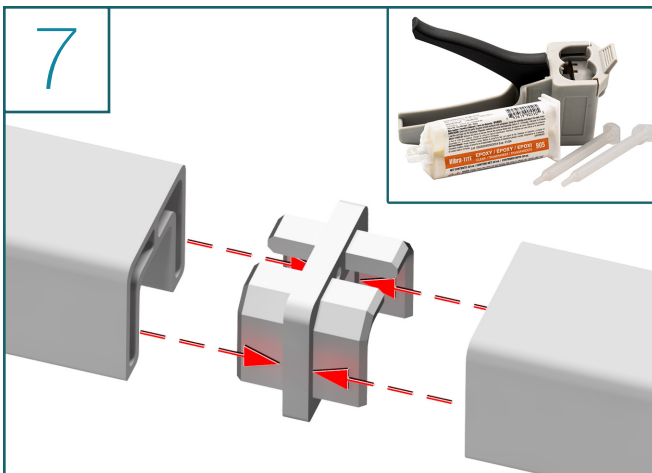
## Glass Cap Rail Installation Steps (Continued)



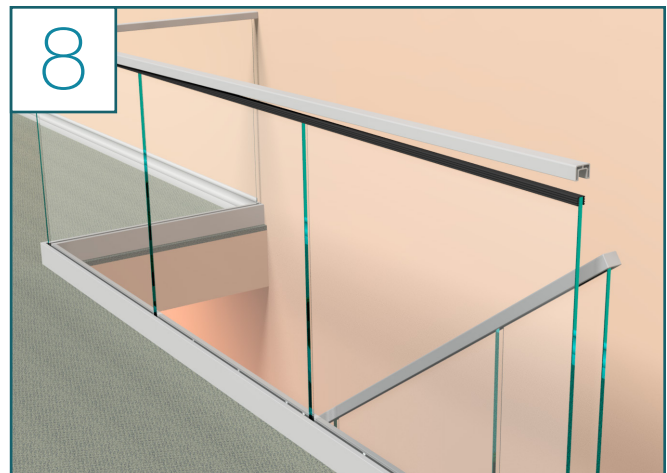
- If your cap rail is made of metal, deburr the cut ends before installing adapters and couplers (wood rail will not have couplers or adapters)
- To deburr metal handrail, use a metal file to smooth the rough edges
- If you do not want exposed aluminum, use the touch up paint to seal any edges and let dry



- Working at one section at a time, unroll the rubber U-channel and cut to length before placing it on top of the panels



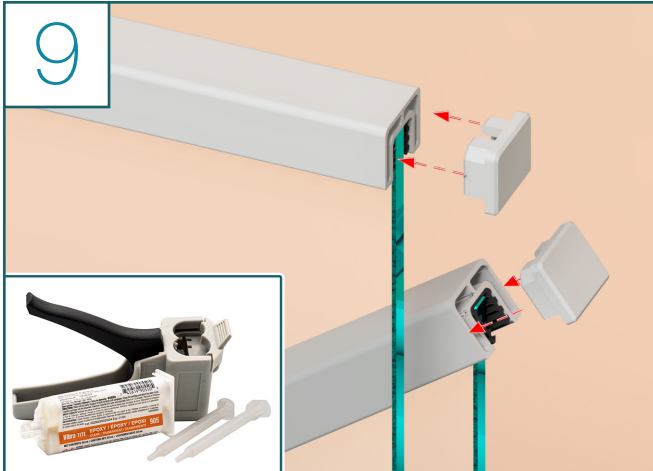
- If you are joining two pieces of cap together with couplers it is easier to connect the pieces together first, and then install the cap rail on the glass
- It is difficult to slide the cap rail horizontally after mounting it on the U-channel
- Couplers should be attached with the provided Epoxy
- Refer to the images on **page 5** to identify how each fitting functions



- Start installing your cap rail, pushing down one end first and working your way down the length of the cap rail, rather than attempting to push it all down at one

*Tip: If you have a metal cap, you can use Windex to lubricate the channel for an easier fit*

### Glass Cap Rail Installation Steps (Continued)



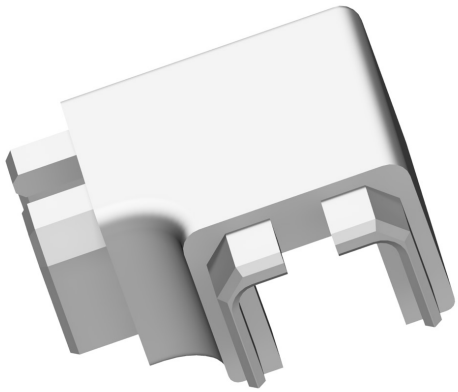
- Once all your cap rail is on all your runs
- End Caps should be attached with the provided Epoxy

Congratulations!  
You're done with this section.

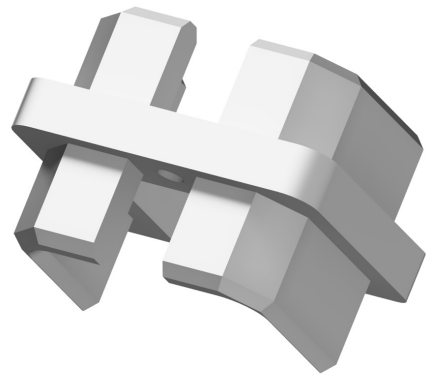
We'd love to see your work! Snap a few pics with your phone and send them to [pictures@viewrail.com](mailto:pictures@viewrail.com).  
Thanks for choosing Viewrail. Enjoy your new installation!



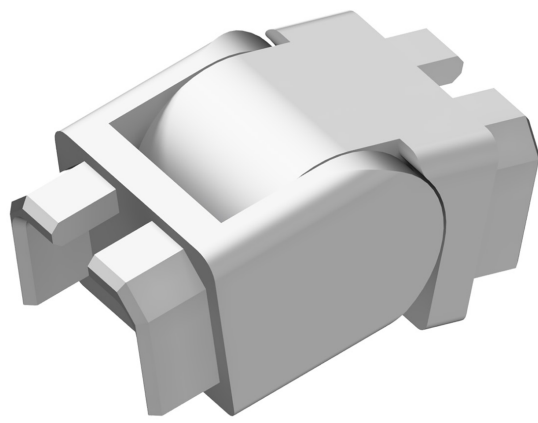
**Glass Cap Rail: Couplers & End Caps**



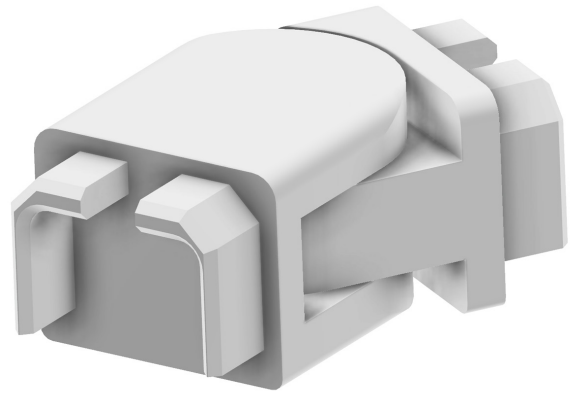
90° Coupler



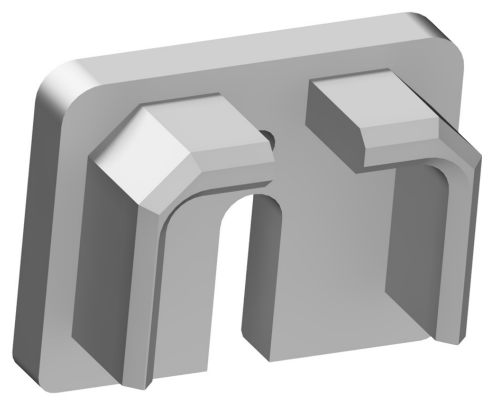
Straight Coupler



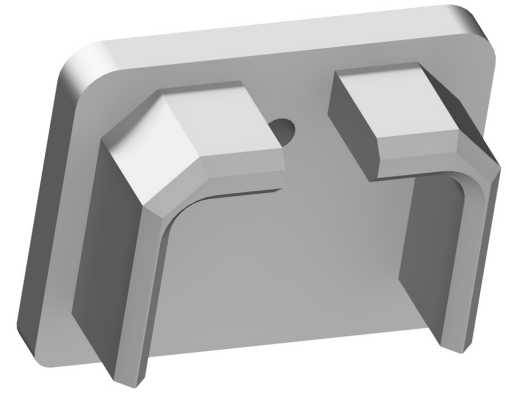
Vertical Coupler



Horizontal Coupler



Wall Mount End Cap



End Cap