



Tools Needed from the Installation Kit



$\frac{3}{8}$ " Socket



T-30 Torx Bit



ThreadLocker

Other Tools and Supplies Not Included in the Installation Kit

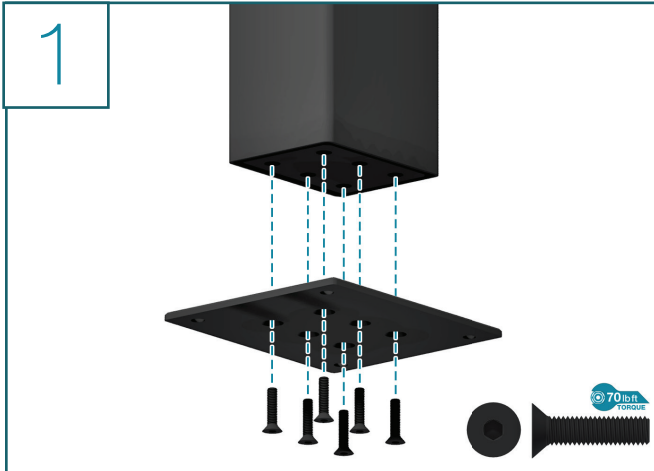
- Drill/Hammer Drill
- Impact Driver/Socket Wrench
- Pencil
- Level
- T-Square
- $\frac{3}{8}$ " Wood Drill Bit (*Wood Install Only*)
- $\frac{9}{16}$ " Concrete Drill Bit (*Concrete Install Only*)
- Concrete Epoxy (*Concrete Install Only*)

Things to Know Before You Get Started

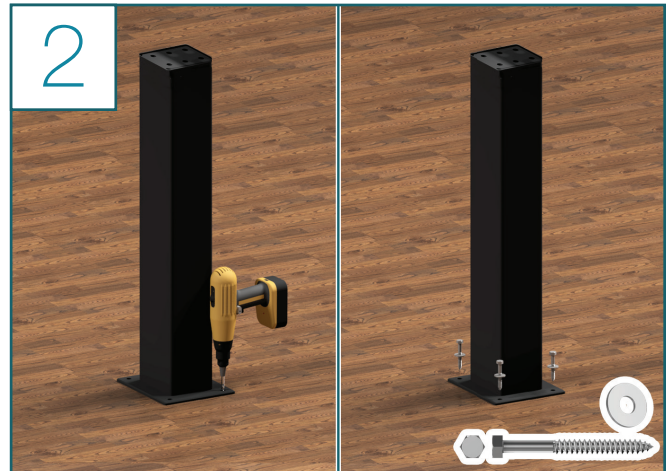
- Read over the provided material prior to the start of your installation
- Ensure to apply the supplied Threadlocker to all mechanical connections



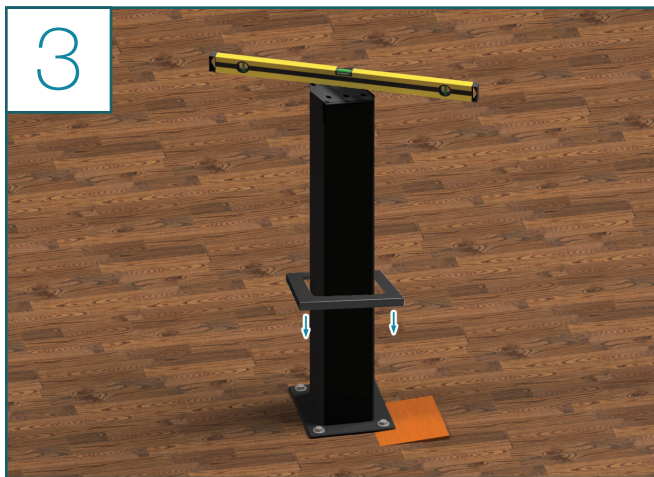
Support Column Installation Steps



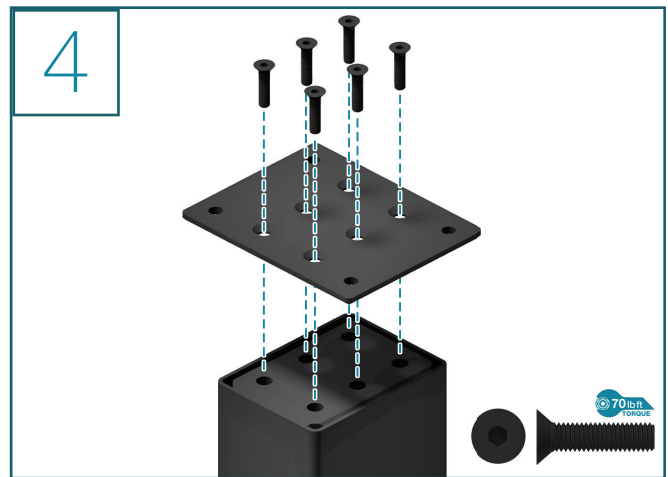
- Identify foot plate and use (6) 1/2" x 2" bolts, fasten the foot plate to the column
- Torque to 70 lb-ft



- Referring to your engineering prints, lift and place the column into the correct position
- Using a 3/8" drill bit, predrill all 4 mounting holes
- Using (4) 1/2" x 5" wood lags to fasten the column to the floor
- If mounting into concrete please refer to the concrete mounting instructions included in your stringer install instructions



- Use the supplied FLIGHT Leveling Shim to make sure the column is level
- Break off the excess shim material that isn't used
- Once the column is completely level locate the bracket cover and slide it down the column
- Apply silicon to the top of the mounting hardware and secure the cover



- Identify your support column & top plate
- Using (6) 1/2" x 2" bolts, attach the top plate to the column
- Torque to 70 lb-ft

Congratulations! You're done.

We'd love to see your work! Snap a few pics with your phone and send them to pictures@viewrail.com. Thanks for choosing Viewrail. Enjoy your new installation!



Tools Needed from the Installation Kit



5/16" Hex Bit Socket



T-30 Torx Bit



ThreadLocker

Other Tools and Supplies Not Included in the Installation Kit

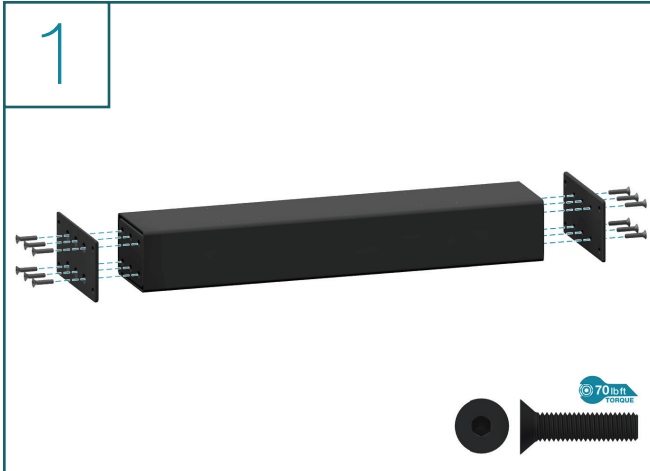
- Impact Driver/Socket Wrench
- Pencil
- Level
- T-Square

Things to Know Before You Get Started

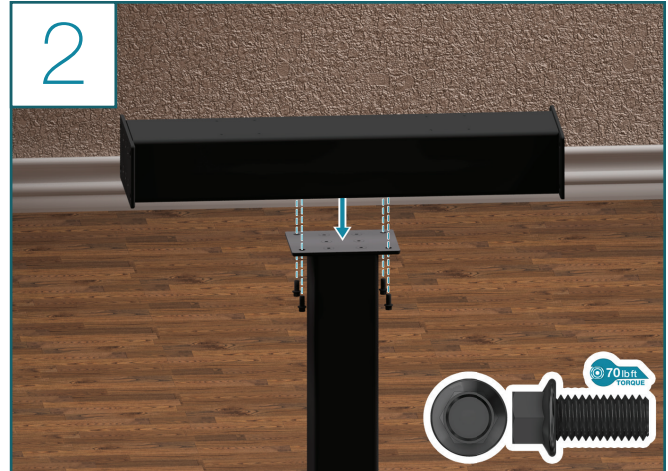
- Read over the provided material prior to the start of your installation
- Ensure to apply the supplied Threadlocker to all mechanical connections



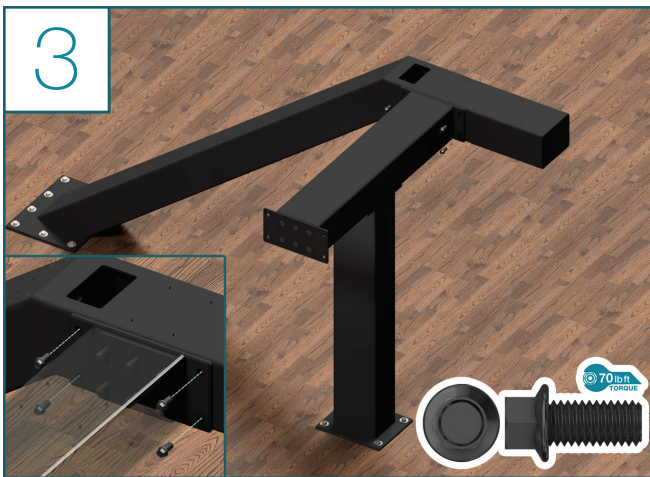
Horizontal Brace Installation Steps



- Identify your brace & the two attachment plates
- Using (6) 1/2" x 2" bolts, fasten the top plate to the brace
- Torque to 70 lb-ft



- Lift the brace onto the column lining up the plate and mounting holes
- Using (4) 1/2" x 1" bolts, attach the brace to the column
- Torque to 70 lb-ft



- Next lift the lower stringer into place
- Using (4) 1/2" x 1" bolts to attach the stringer to brace
- Torque to 70 lb-ft



- Following the your Stringer Install Instructions hoist the upper stringer into place
- Using (4) 1/2" x 1" bolts to attach the stringer to brace
- Torque to 70 lb-ft

At this point, you can continue with the remainder of the stringer installation

Congratulations! You're done with this section.

We'd love to see your work! Snap a few pics with your phone and send them to pictures@viewrail.com. Thanks for choosing Viewrail. Enjoy your new installation!