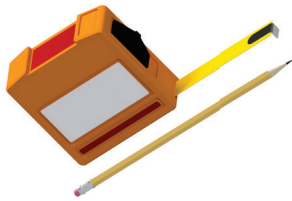


Tools Needed for this Installation



Tape Measure & Pencil



Chop Saw/
Table Saw



Dead Blow
Hammer



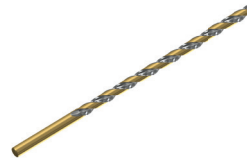
5/32" T-Handle
Allen Wrench



Bar Clamps



Drill



9/64" Drill Bit



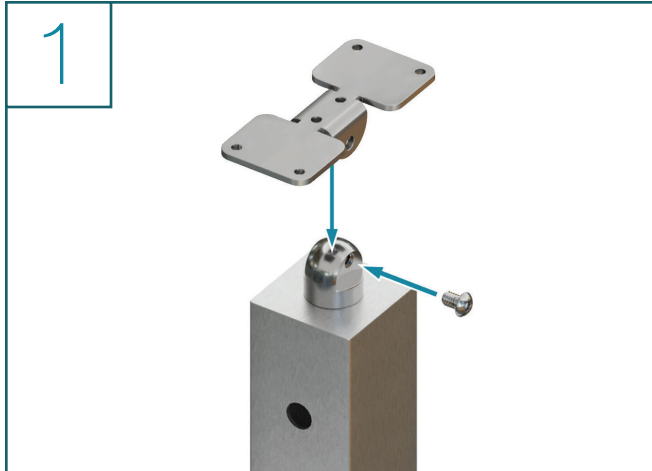
Silicone/Epoxy
(Optional)

Things to Know Before You Get Started

- Read over the provided material prior to the start of your installation



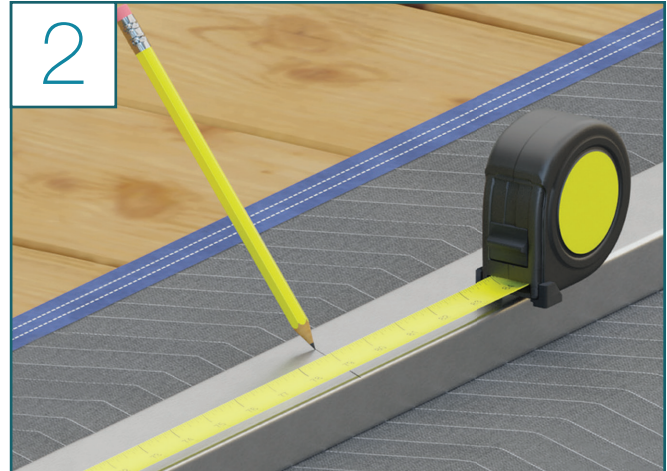
Universal Bracket Handrail Installation Steps



- Set the bracket on top of the post dome
- Using one screw, temporarily attach the handrail bracket to the post dome

Note:

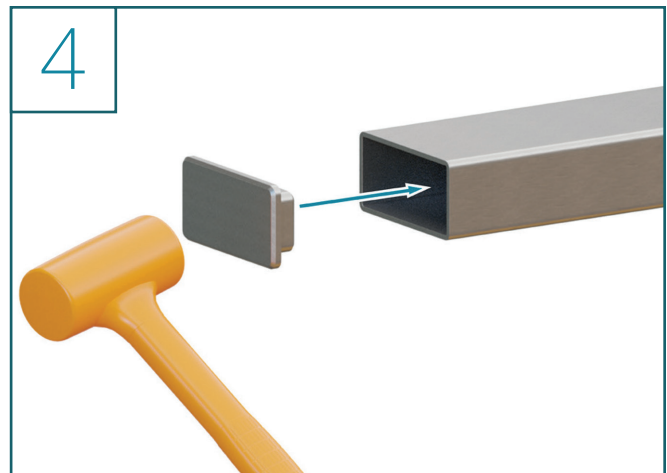
To prevent possible corrosion, only use the supplied chrome plated Allen wrench when doing this step



- Select the relevant handrail for the run you are working on
- Lay the handrail upside down on a protected surface
- Measure the run and mark the cut length for the handrail



- Using the appropriate blade for the handrail material, cut at the mark



- Remove any burrs and tap the plug in place with a dead blow hammer
- Optional Step: Run a line of silicone or epoxy around the handrail plug to hold in place

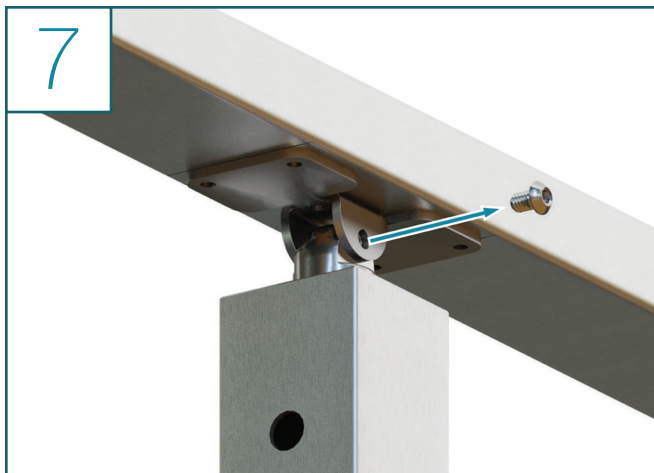
Universal Bracket Handrail Installation Steps (Continued)



- Place the cut handrail on the posts brackets and clamp in place



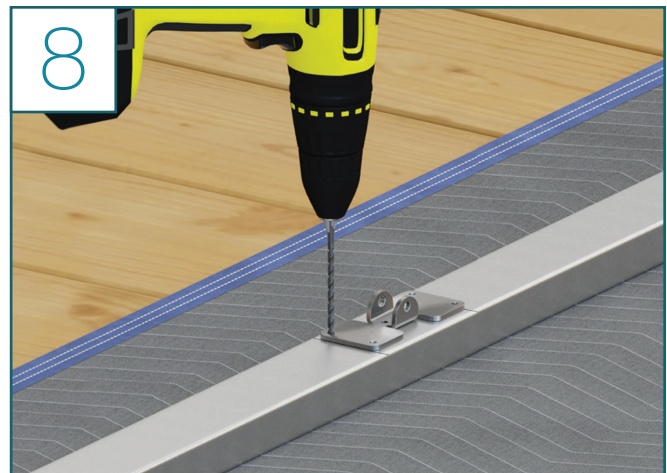
- Using a pencil or pen, mark the bracket outline or the pilot holes for the handrail screws



- Remove the clamps and the handrail
- Set the handrail upside down on a protected surface
- Remove the dome screw and then the bracket top

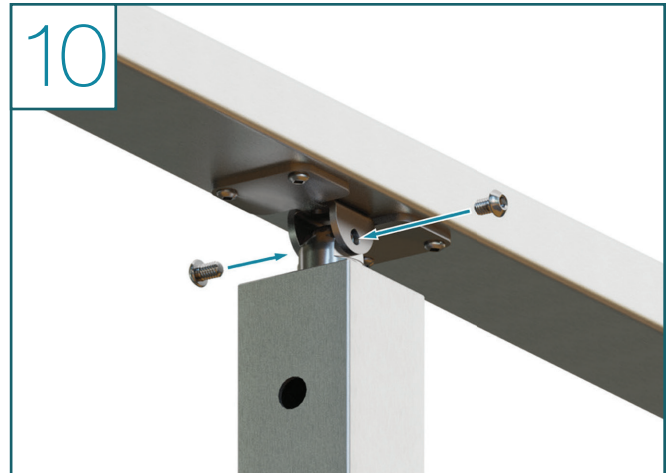
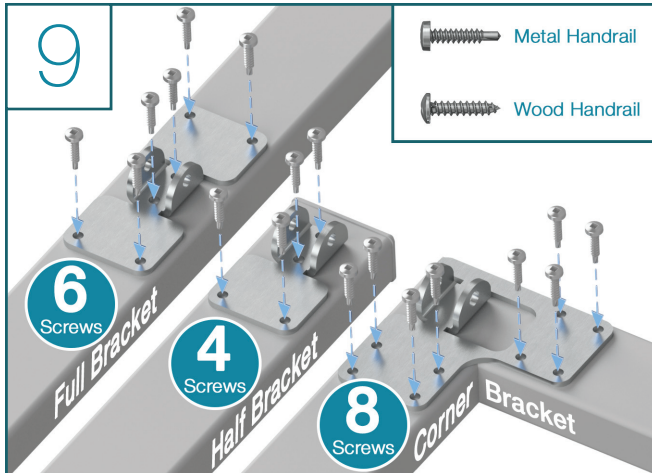
Note:

To prevent possible corrosion, only use the supplied chrome plated Allen wrench when doing this step



- Set the bracket top on the pre-marked locations
- Using a $\frac{9}{64}$ " bit, drill the pilot holes for the handrail screws

Universal Bracket Handrail Installation Steps (Continued)



- Attach the handrail brackets to the handrail with the provided screws
- Full Brackets: Populate all 6 holes
- Half Brackets: Populate all 4 holes
- Corner Brackets: Populate all 8 holes

- Place the handrail on top of the posts
- Secure the handrail bracket with both dome screws

Note:

To prevent possible corrosion, only use the supplied chrome plated Allen wrench when doing this step

Congratulations! You're done with this section.

We'd love to see your work! Snap a few pics with your phone and send them to pictures@viewrail.com. Thanks for choosing Viewrail. Enjoy your new installation!