



### Tools Needed for this Installation



Drill with  
T-30 Torx Bit &  
Hanger bolt Driver



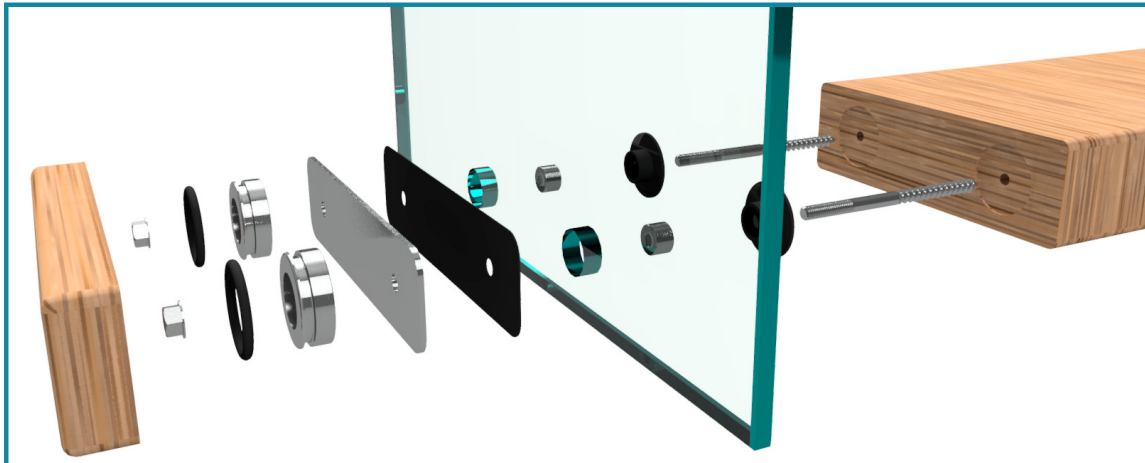
Glass Suction  
Cup Handles



Torque Wrench  
With 9/16" Socket



Silicone Sealant  
& Screw Wax

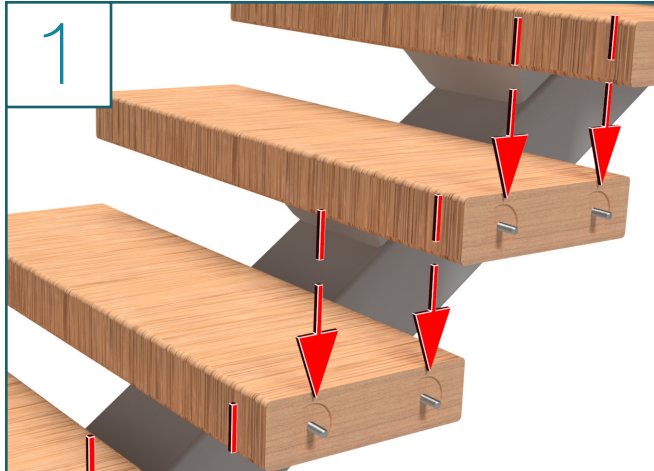


### Things to Know Before You Get Started

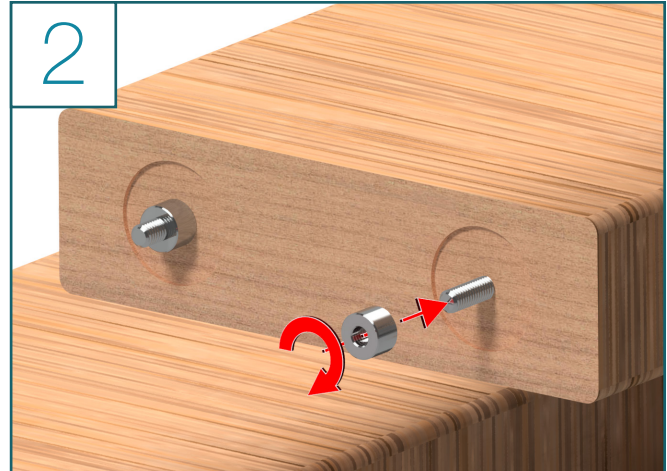
- Read over the provided material prior to the start of your installation



## Vedera Tread Installation Steps



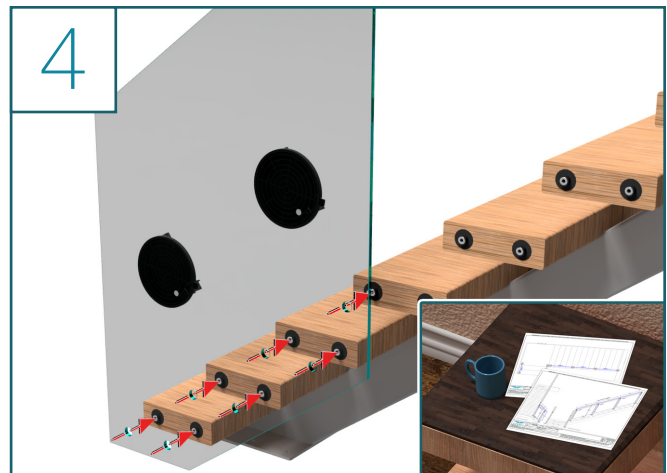
- Once your FLIGHT treads are installed, count the predrilled standoff pin hanger bolts and prepare the correct amount of pin hardware



- Thread a Glass Stud over each hanger bolt until the stud is flush against the tread

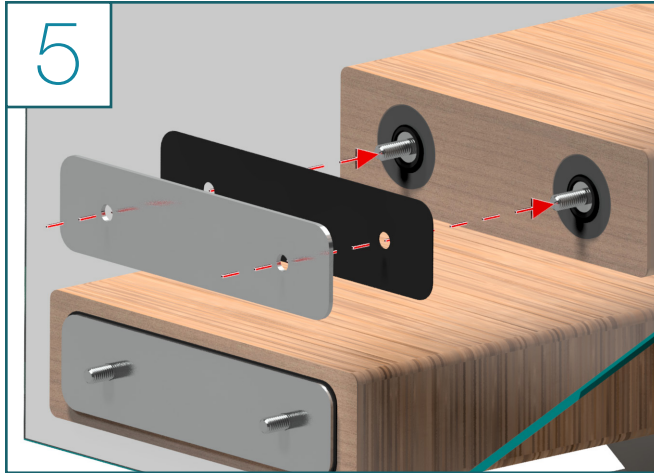


- Slide a plastic bushing over each Glass Stud
- At this point, read the rest of the instructions & prep the remaining hardware for the first panel you will be installing
- This will shorten the amount of time manually holding the panel in place

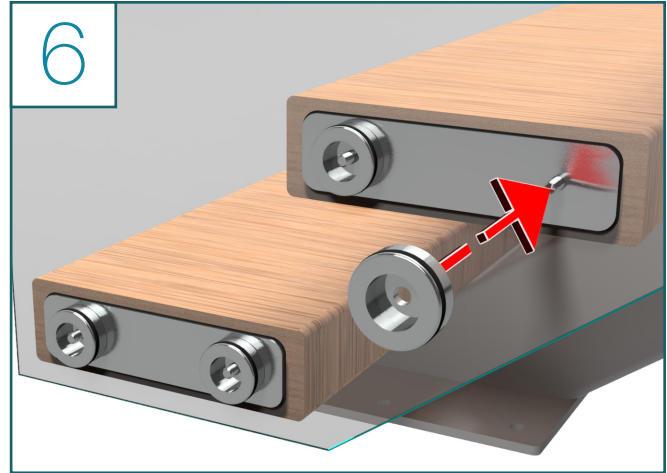


- Refer to the engineering prints provided to you to identify the first panel
- With the help of a partner, use Glass Suction Cup Handles to position the 1st glass panel into place
- Slide the holes in the panel over each gasket and hold this in place while the remaining hardware is mounted

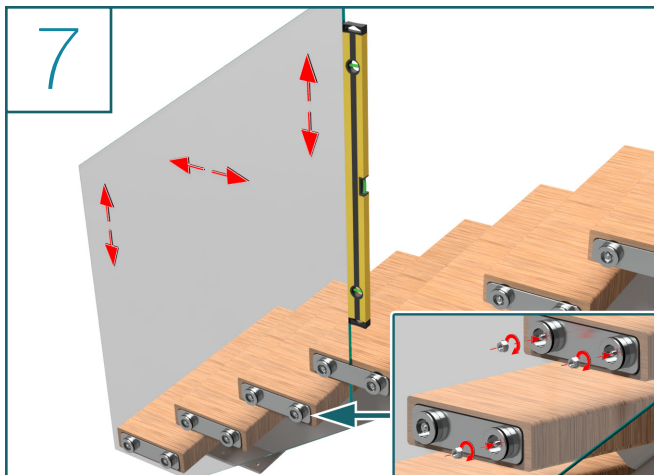
### Vedera Tread Installation Steps (Continued)



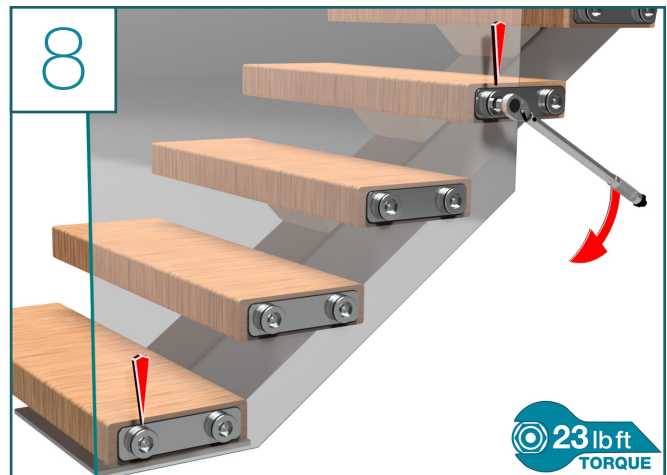
- While your partner holds the glass in place, slide the Plastic Shim then the Metal Clamp Plate over each of the hanger bolts as shown



- Slide a Vedera Pin on to each of the hanger bolts
- Continue to hold the panel in place as the fastening mechanism is applied in the following step



- Hand tighten a nut on to each hanger bolt
- There will be play in the exact positioning of the glass panel, this will allow you to make adjustments in Step 10

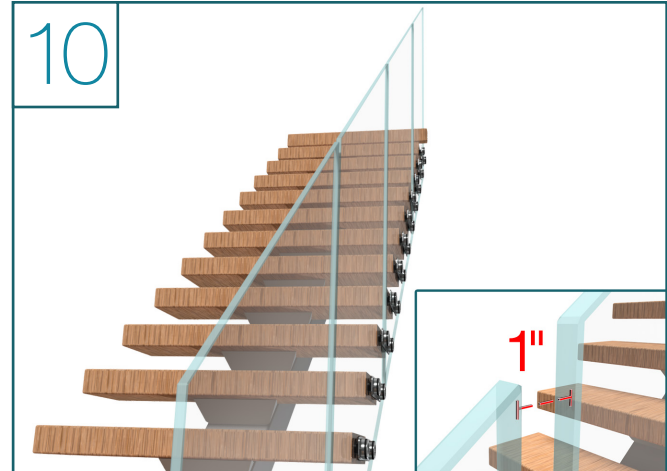


- Using a torque wrench and a  $\frac{9}{16}$ " socket head, tighten the first and last nut on the Vedera Pin to 23 lb ft
- This will make it easier if you need to readjust the fitment once all the other glass panels are installed

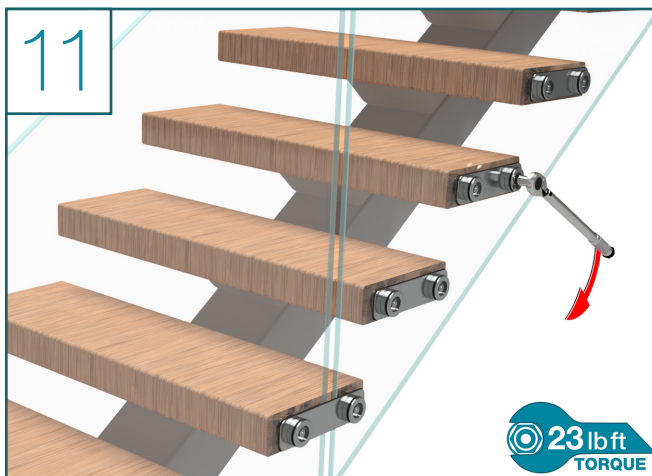
### Vedera Tread Installation Steps (Continued)



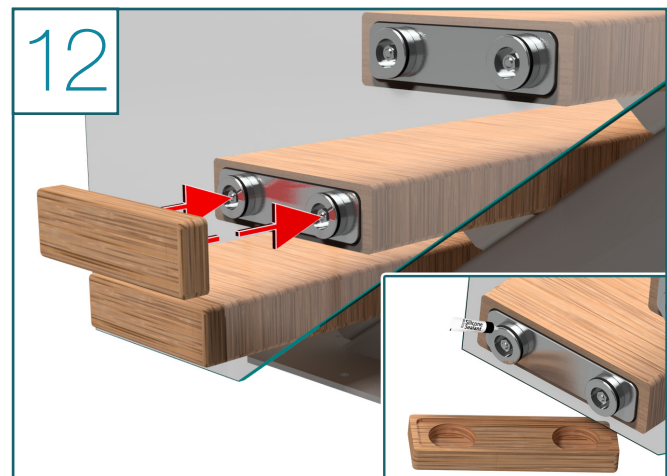
- Repeat steps 1-8 for each panel on your run



- Once all the panels are in place, ensure that each is aligned with its neighbors
- There will be a 1" gap between panels



- Using a torque wrench and a 9/16" socket head, tighten all the remaining nuts on the Vedera Pins to 23 lb ft



- Identify and prepare the Vedera wood covers
- Although the rubber O rings will provide a snug fit in the predrilled holes for the wood covers, it is recommended to use silicone on the face of the pin around the bolt hole in order to provide additional strength
- Apply a line of silicone around each O ring
- Attach the wood covers onto each pin
- These will fit snugly and could require soft taps to place

## Congratulations! You're done with this section.

We'd love to see your work! Snap a few pics with your phone and send them to [pictures@viewrail.com](mailto:pictures@viewrail.com). Thanks for choosing Viewrail. Enjoy your new installation!