



Flat Top Bracket Handrail Installation Guide

Look for this sticker
on hardware bags

HANDRAIL



Other Tools and Supplies Not Included in the Installation Kit

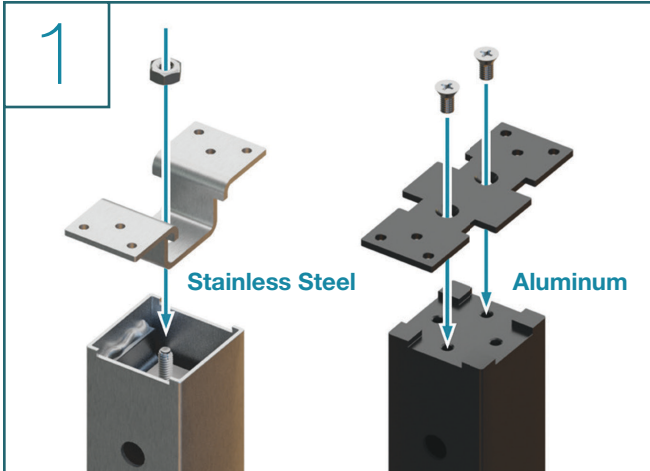
- Tape Measure
- Pencil
- Power Saw
- Dead Blow Hammer
- Allen Wrench
- Drill
- 9/64" Drill Bit
- Silicone/Epoxy (Optional)

Things to Know Before You Get Started

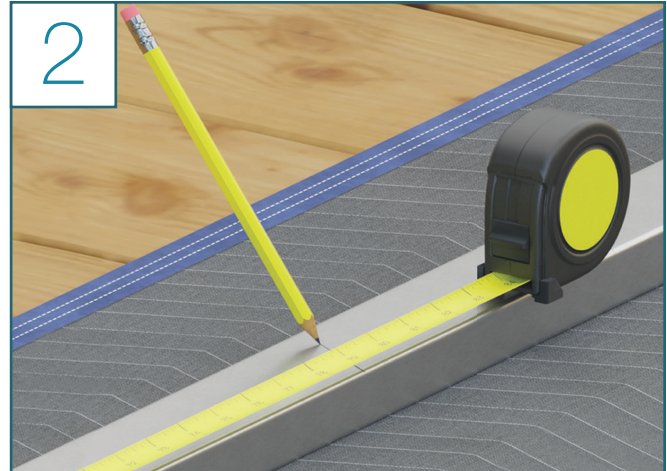
- Read over the provided material to identify post types.



Flat Top Bracket Handrail Installation Steps



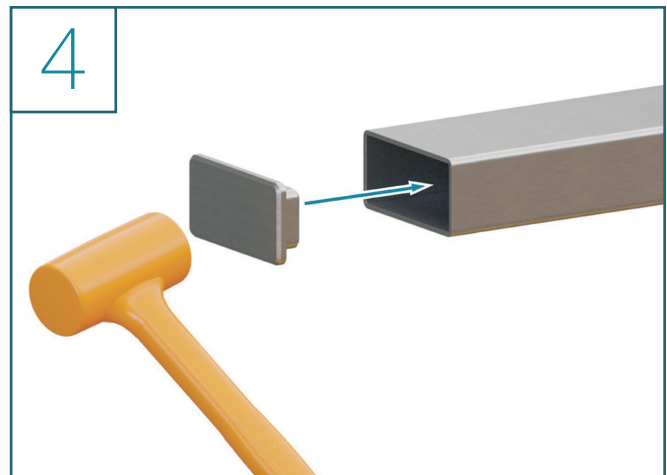
- Attach the handrail brackets to the post tops



- Select the relevant handrail for the run you are working on
- Lay the handrail upside down on a protected surface
- Measure the run and mark the cut length for the handrail



- Using the appropriate blade for the handrail material cut at the mark



- Remove any burrs and tap the plug in place with a dead blow hammer
- Optional Step: Run a line of silicone or epoxy around the handrail plug to hold in place

Flat Top Bracket Handrail Installation Steps (Continued)



- Using a 9/64" bit, drill pilot holes for the handrail screws



- Attach the handrail brackets to the handrail with the provided screws
- Populate all 6 holes

Congratulations!
You're done with this section.

We'd love to see your work! Snap a few pics with your phone and send them to pictures@viewrail.com. Thanks for choosing Viewrail. Enjoy your new installation!

Handrail Joining Options

