
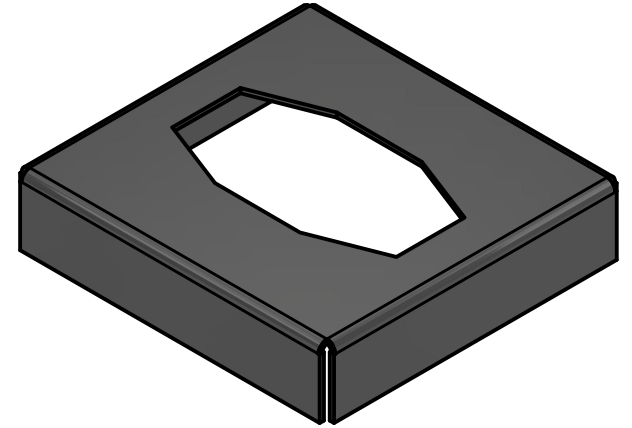
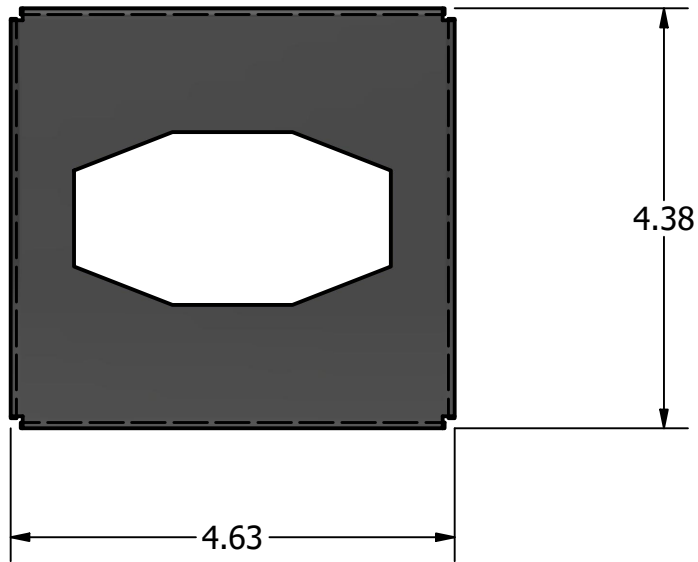


NOTE: Finish is Clear Anodize MIL-A-8625 Type II Class 1<ACID ETCH>  
SEE DRAWING 507893 FOR ADDITIONAL SPECIFICATIONS


| B                | ECO-000062  | 05AUG2021 | DGP      |  | Part Number: 490856                                | Tolerance:<br>.X" +/- .03"<br>.XX" +/- .015"<br>.XXX" +/- .005"<br>X/X" +/- 1/16"<br>X° +/- 0.5°<br>Or as Specified |
|------------------|-------------|-----------|----------|---|--|---|
| REV              | DESCRIPTION | DATE      | APPROVED |   | Part Description: Surface Mount Talon Body (Clear) |   |
| REVISION HISTORY |             |           |          | Revision:   | Material: Aluminum 6061 - T6                       |   |
|                  |             |           |          | Sheet 1 of 1  | Finish: Anodized - Light Gray                      |   |

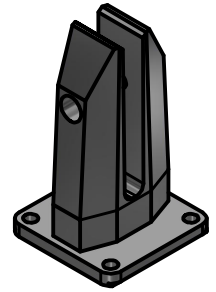
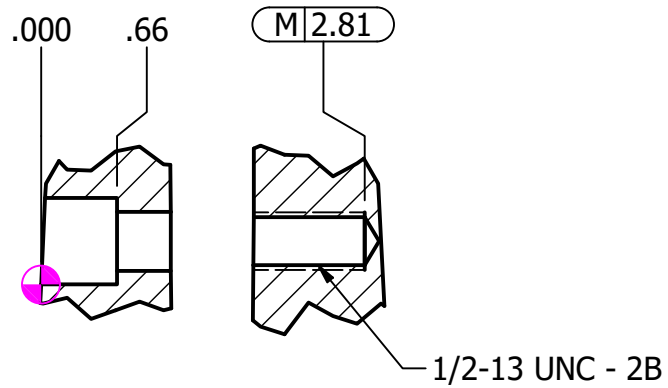
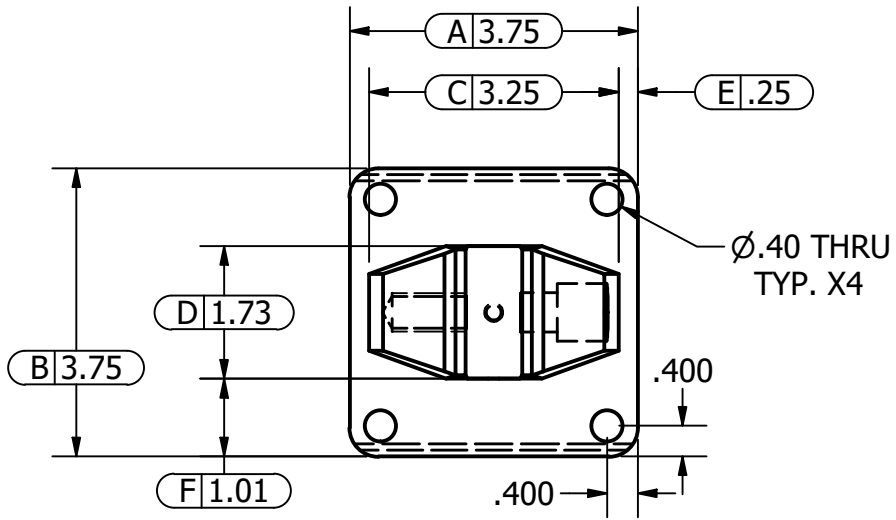


NOTE: Finish is Black Anodize MIL-A-8625 Type II Class 2<ACID ETCH>

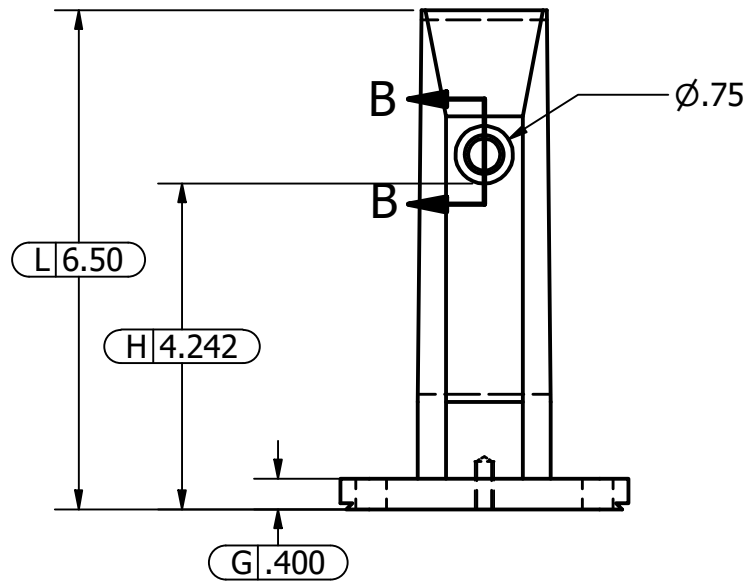
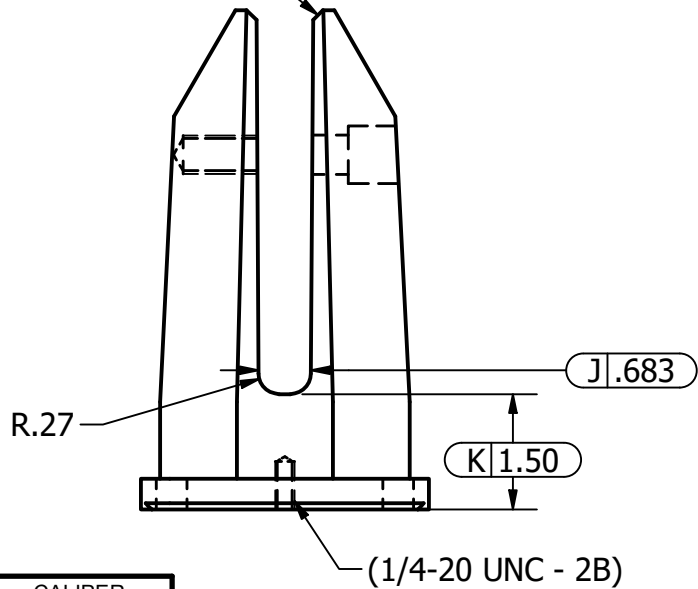
| REV | DESCRIPTION | DATE | APPROVED | STATUS |
|-----|-------------|------|----------|--------|
| 0   |             |      |          |        |

REVISION HISTORY

|   |  |
|---|--|
|  | Part Number: 491080                            |
|   | Description: Surface Mount Talon Cover (Black) |
| Revision: 0   | Sheet 1 of 1                                   |



$.13 \times 45^\circ$  CHAMFER



|                      |           |                       |
|----------------------|-----------|-----------------------|
| A-F                  | $\pm.015$ | CALIPER               |
| G-H                  | $\pm.005$ | CALIPER               |
| J                    | $\pm.005$ | CALIPER               |
| K-L                  | $\pm.015$ | CALIPER / HEIGHT GAGE |
| M                    | N/A       | BOLT FIT TEST         |
| DIM                  | TOLERANCE | DEVICE                |
| CRITICAL INSPECTIONS |           |                       |

|                  |             |           |          |
|------------------|-------------|-----------|----------|
| B                | ECO-000062  | 05AUG2021 | DGP      |
| REV              | DESCRIPTION | DATE      | APPROVED |
| REVISION HISTORY |             |           |          |

|              |   |   |
|--------------|---|---|
|              | Part Number: 507893                                   | Tolerance:  |
|              | Part Description: Surface Mount Talon Body (Machined) | .X" $\pm.03$ "  |
|              | Material: Aluminum 6061 - T6<br>Finish: TUMBLLED      | .XX" $\pm.015$ "<br>.XXX" $\pm.005$ "<br>X/X" $\pm.1/16$ "<br>X° $\pm.0.5^\circ$<br>Or as Specified |
| Revision: B  |   |   |
| Sheet 1 of 1 |   |   |