



Dual 2x6 Straight Stringer Installation Guide

Look for this sticker on hardware bags

FLIGHT



Tools Needed from the Installation Kit



Torque Wrench



1/2" to 3/8" Reducer



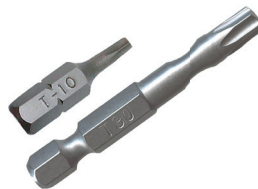
3/4" Socket



5/16" Hex Bit Socket



5/16" Hanger Bolt Driver



T-10 & T-30 Torx Bits



ThreadLocker

Other Tools and Supplies Not Included in the Installation Kit

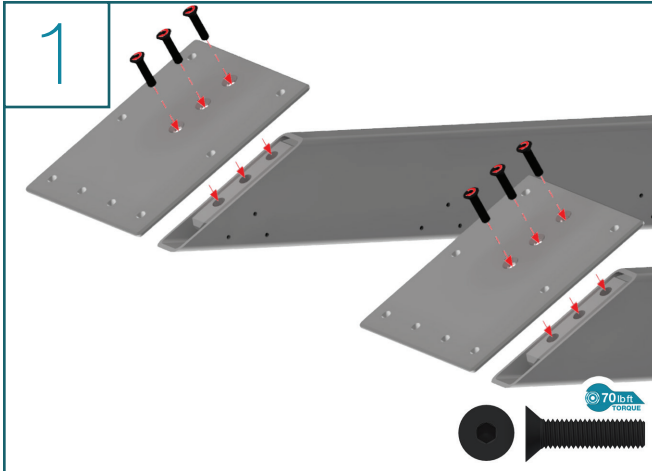
- Drill/Hammer Drill
- Impact Driver/Socket Wrench
- Pencil
- Level
- T-Square
- 3/8" Wood Drill Bit (*Wood Install Only*)
- 9/16" Concrete Drill Bit (*Concrete Install Only*)
- 11/16" Forstner Bit (*Wood Install Only*)
- Wood Glue
- Concrete Epoxy (*Concrete Install Only*)
- Silicone Sealant

Things to Know Before You Get Started

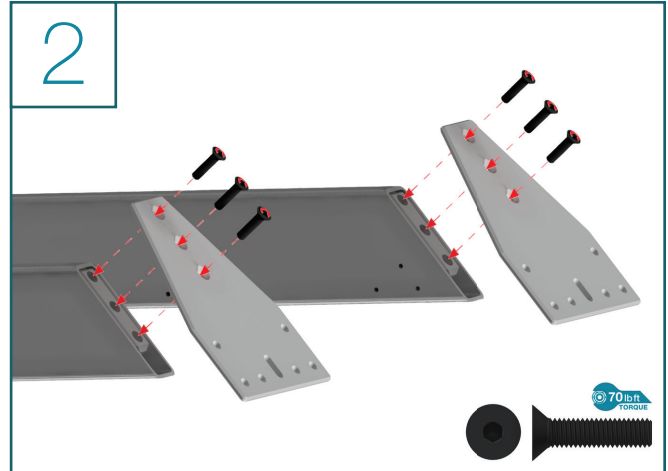
- Read over the provided material prior to the start of your installation
- Ensure to apply the supplied Threadlocker to all mechanical connections



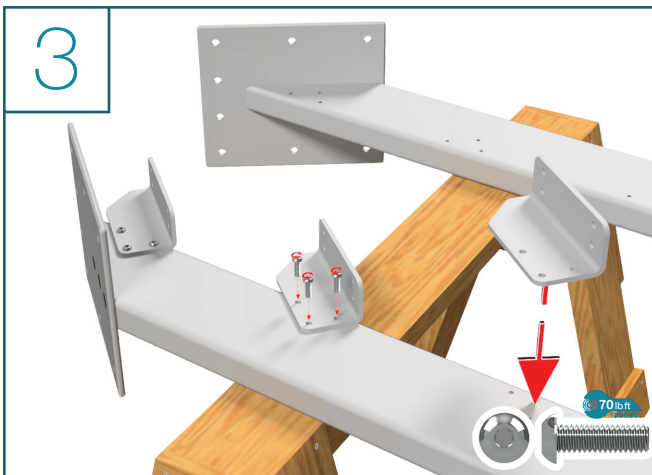
Dual 2x6 Straight Stringer Installation Steps



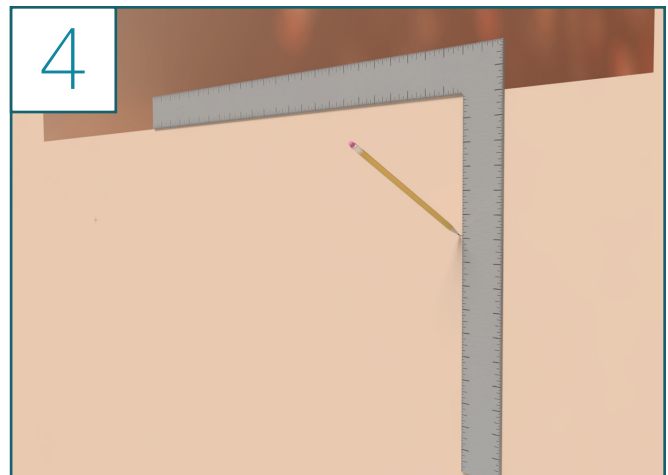
- Match the beveled Foot Plate holes to the Stringer holes
- Use the 1/2" x 2" Flathead Bolts to attach the floor plate to the stringer
- Torque to 70 lb-ft



- Match the beveled Header Plate holes to the Stringer holes
- Use the 1/2" x 2" Flathead Bolts to attach the floor plate to the stringer
- Torque to 70 lb-ft



- Thread three 5/16"-18 x 1" button head screws through each tread bracket and into each stringer, so they are finger tight
- Then Torque to 70 lb-ft

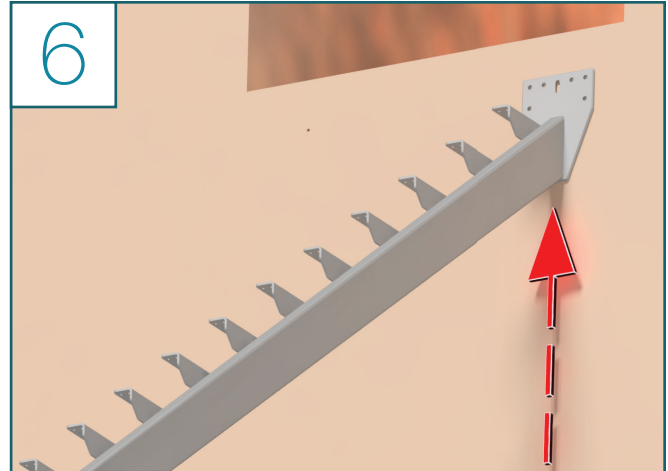


- Use the provided drawing(s) to mark the header plate dimensions
- At this point, mark a predrill location for the slotted hole in your header plate

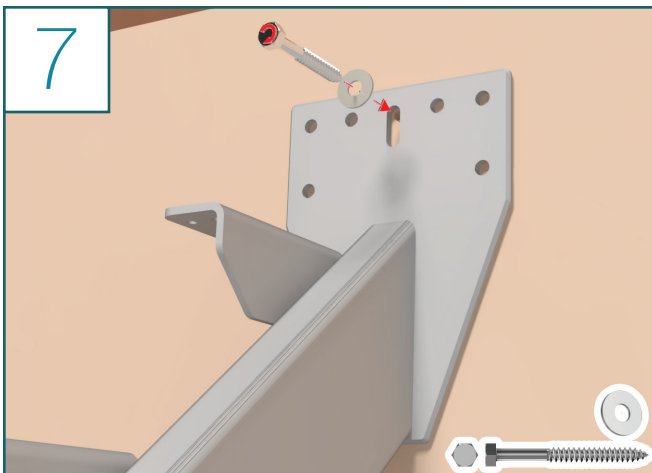
Dual 2x6 Straight Stringer Installation Steps (Continued)



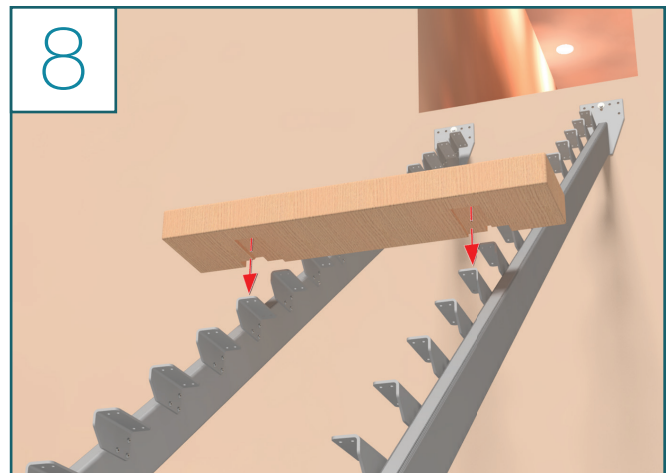
- Predrill with a $\frac{3}{8}$ " drill bit



- Lift one of the stringers into place, lining up the hole
- We recommend using either a pulley system or a Come Along Winch and brace material to hold the stringer in place while fastening

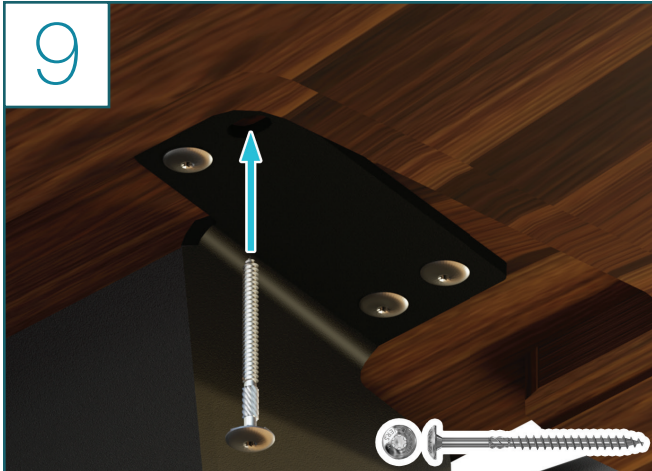


- Fasten the $\frac{1}{2}$ " x $3\frac{1}{2}$ " Hex Lag through the middle slotted hole in one of the header plate to hold the stringer in place
- Repeat **Steps 6-7** with the other side's stringer, ensuring there are both placed correctly



- Place a single tread on to one of the tread brackets about half-way up the stringer

Dual 2x6 Straight Stringer Installation Steps (Continued)



- Using the $\frac{5}{16}$ " x $2\frac{1}{2}$ " RSS Screws, attach the tread to the tread bracket
- During this step, alternate sides of the bracket when fastening screws. This will prevent the tread from pulling unevenly



- Ensure the tread is level on the tread bracket both front to back and left to right

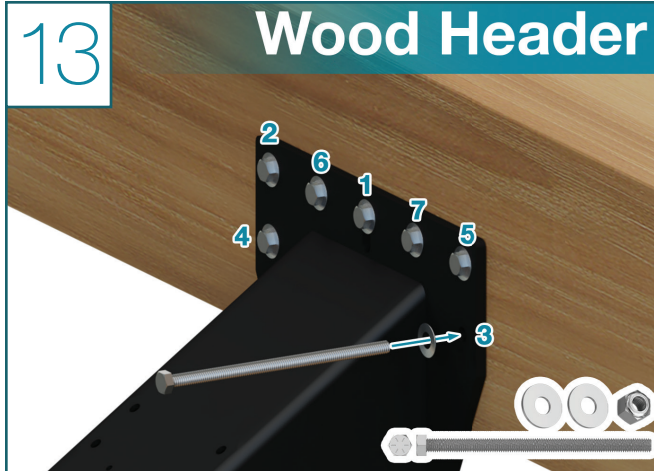


- If not level left to right, shim the header plate to adjust
- If not level front to back, shim the footer plate to adjust
- Cut the excess shim away

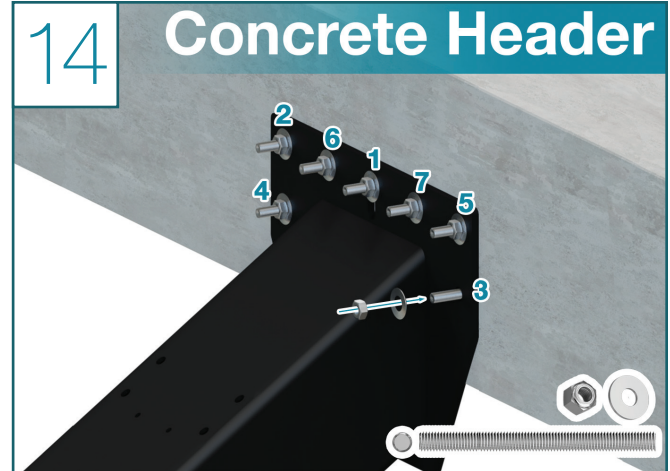


- Pre-drill through the header plate holes with a $\frac{3}{8}$ " drill bit
- At this point, pre-drill all your header plate holes using a $\frac{1}{2}$ " bit

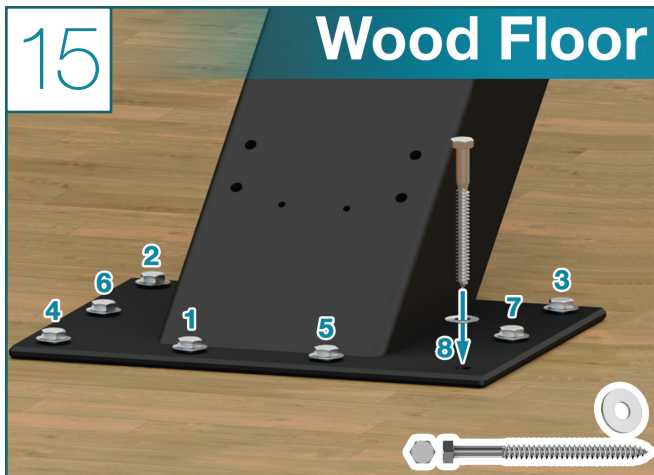
Dual 2x6 Straight Stringer Installation Steps (Continued)



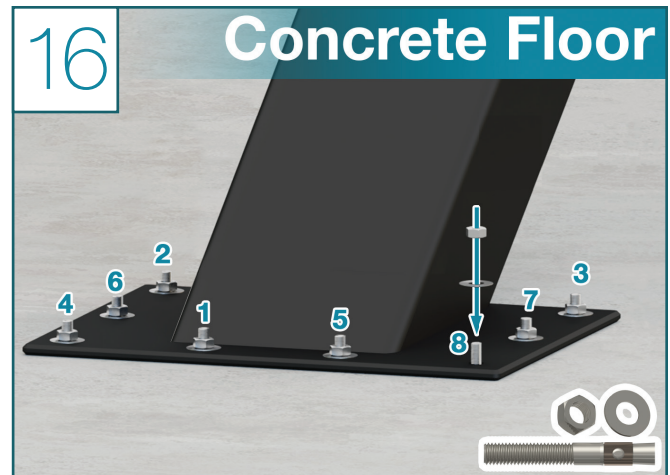
- Thread the 1/2" x 8" hex head bolts into place, so they are finger tight



- Refer to the recommendation of the brand of epoxy you are using and predrill the correct sized holes for these 1/2" threaded studs
- Apply concrete epoxy in to the holes
- Insert the threaded studs into each hole



- Predrill your footer plate holes with a 3/8" drill bit
- Thread the 1/2" x 5" head lags into place



- Refer to the recommendation of the brand of epoxy you are using and predrill the correct sized holes for these 1/2" threaded studs
- Drill 1/2" holes for the concrete wedge anchors
- Insert a concrete wedge anchor into each hole

Dual 2x6 Straight Stringer Installation Steps (Continued)



- Using the 5/16" x 2 1/2" hanger bolts, populate the first tread holes



- Mount the first tread on to its tread plate
- The first tread mounts differently to the tread bracket than the rest of the treads



- Using a nut, tighten the tread to the tread bracket



- Repeat Steps 8-10 to fasten the remaining treads, one at a time, onto the tread brackets

Congratulations! You're done with this section.

We'd love to see your work! Snap a few pics with your phone and send them to pictures@viewrail.com. Thanks for choosing Viewrail. Enjoy your new installation!