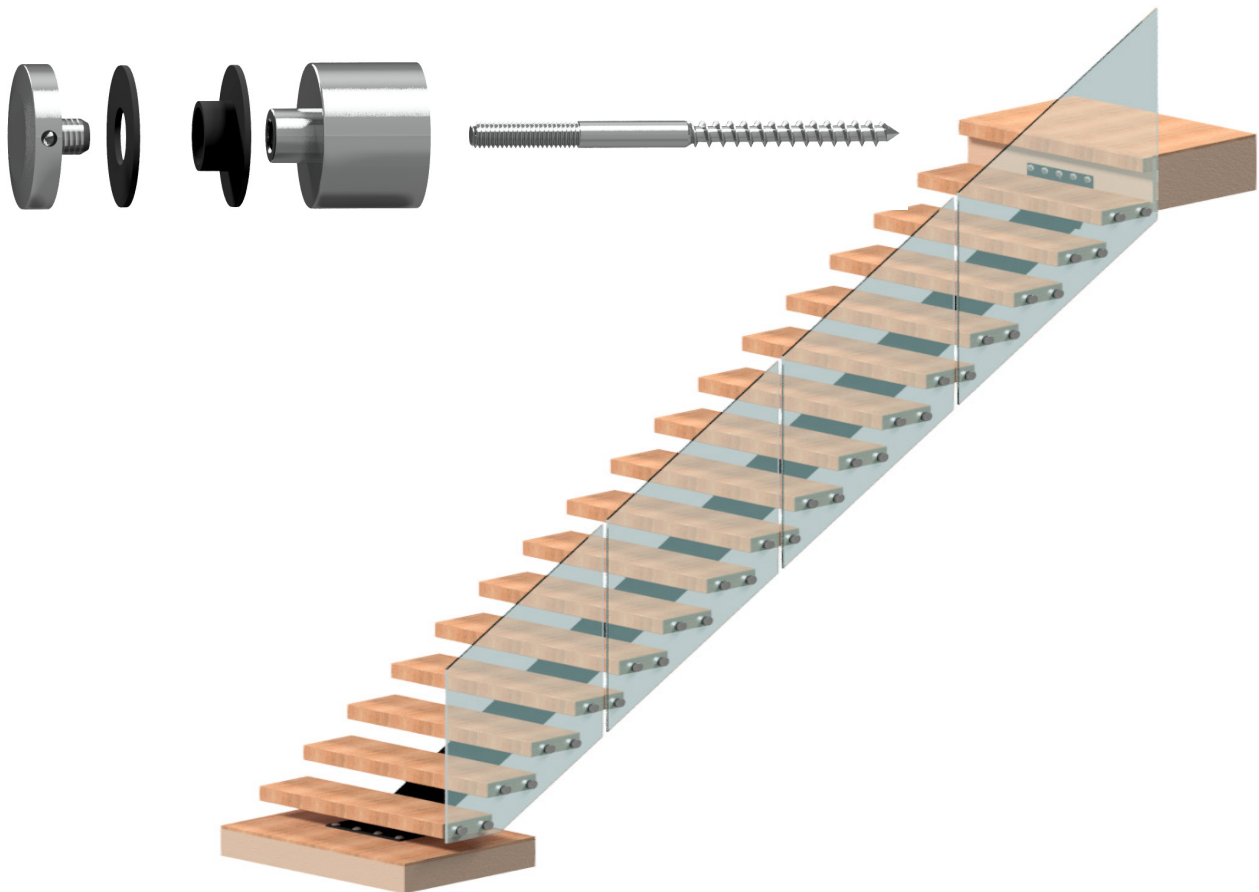


FLIGHT Tread Mount Glass Pin Installation Guide



Tools Needed from the Installation Kit



Glass Suction
Cup Handles



3/8" Hanger Bolt Driver



Glass Pin
Strap Wrench

Other Tools and Supplies Not Included in the Installation Kit

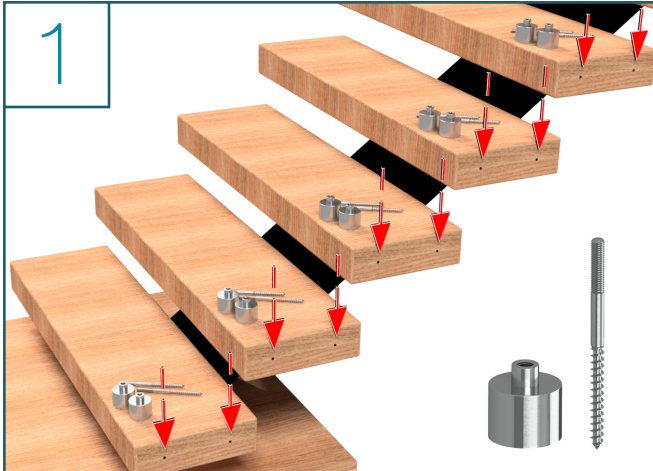
- Drill
- 15/64" Drill Bit

Things to Know Before You Get Started

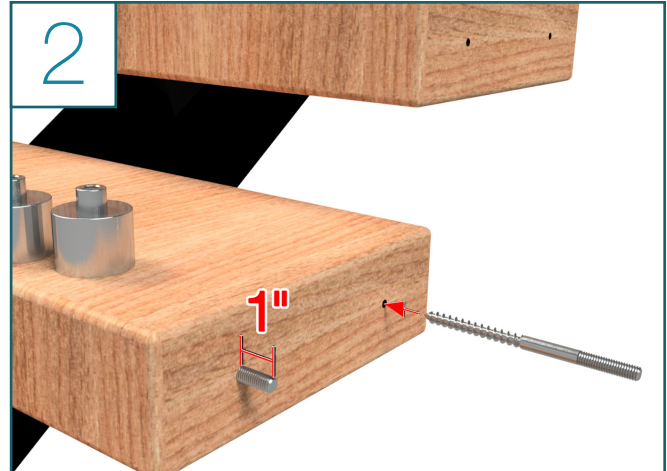
- Read over the provided material prior to the start of your installation
- This is, at minimum, a 2 person job
- Viewrail Glass systems and fittings are designed to have a 1" gap between panels of glass



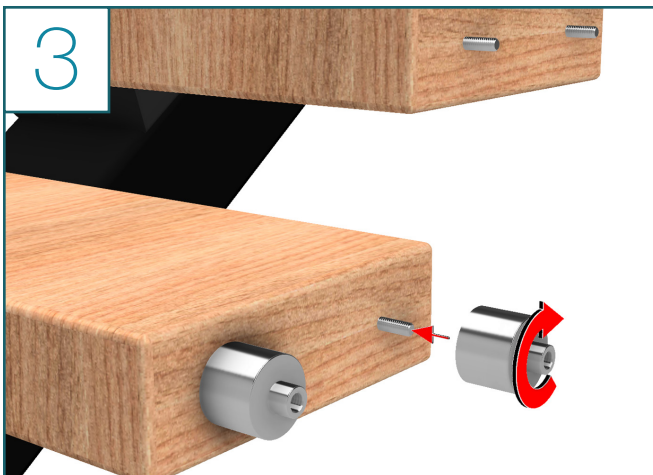
FLIGHT Tread Mount Glass Pin Installation Steps



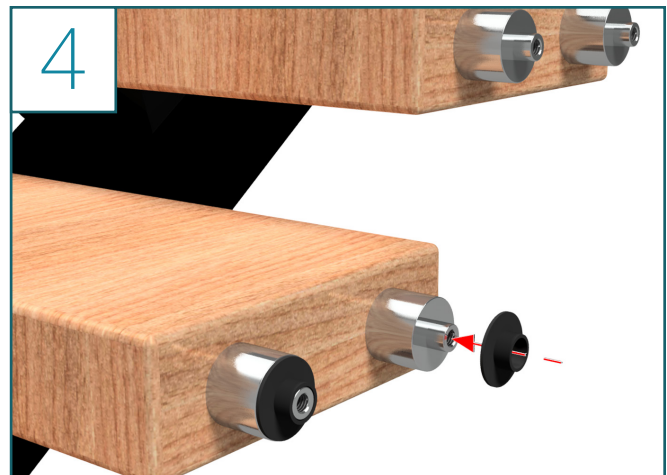
- Once your FLIGHT is installed, count the predrilled standoff pin locator holes and prepare the correct amount of standoff pin bases and 3/8" hanger bolts



- Using a 3/8" Hanger Bolt Driver, secure the hanger bolts into the predrilled holes on the side of each tread
- Leave 1" of the hanger bolts exposed

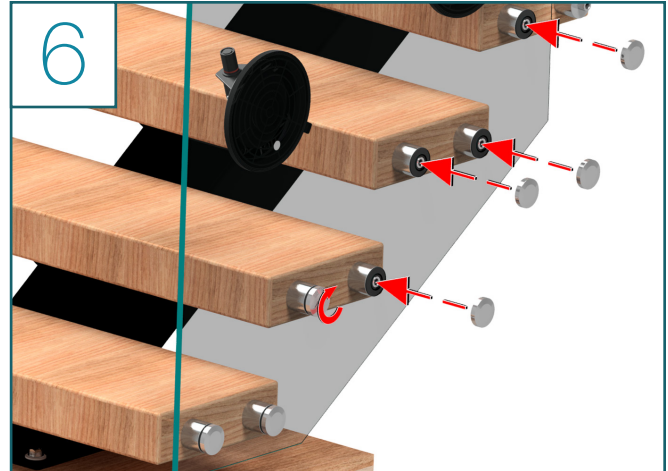
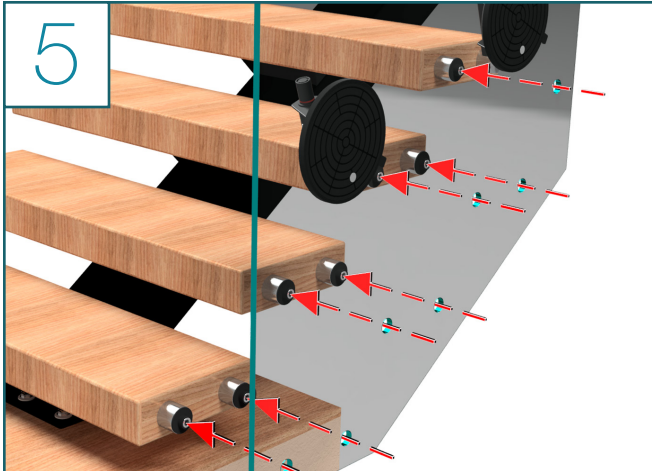


- Screw the standoff pin bases on to the hanger bolts



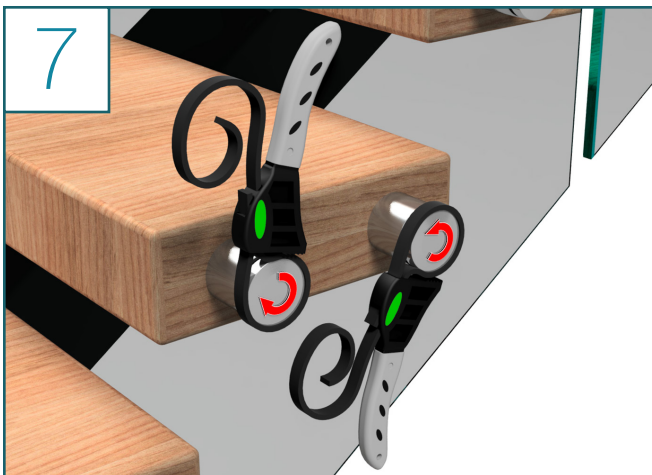
- Place a plastic washer and bushing onto each standoff pin base

FLIGHT Tread Mount Glass Pin Installation Steps (Continued)



- Refer to the engineering prints provided to you and prepare the first panel for install
- Using glass suction cup handles, position the first glass panel into place
- Slide it over the plastic bushing on each pin

- While a partner holds the glass panel in position, place the other plastic washer onto the standoff pin caps and screw each onto the standoff pin base



- Tighten all standoff pin caps using the provided strap wrench

Note: Because the holes made in the glass are bigger than the pins that hold them, you can position and reposition the glass to ensure that all panels line up the way they should.

Congratulations! You're done with this section.

We'd love to see your work! Snap a few pics with your phone and send them to pictures@viewrail.com.
Thanks for choosing Viewrail. Enjoy your new installation!