



Look for this sticker  
on hardware bags

STRUCTURE

# Kneewall Transition Post Placement Instructions



## Tools Needed for this Installation

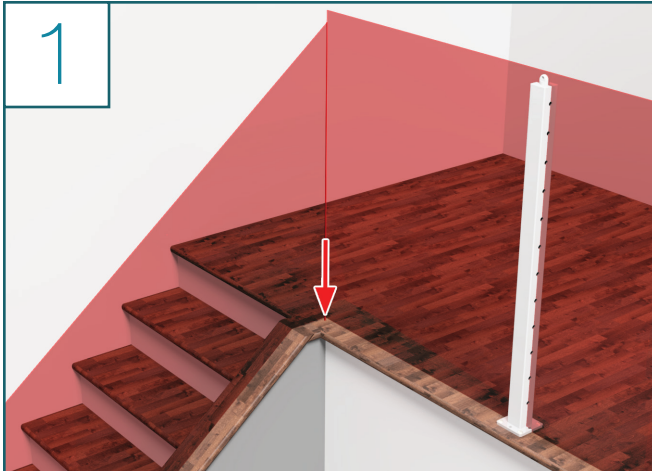
- Pencil
- Drill
- T-35 Torx Bit
- $\frac{5}{32}$ " Allen Wrench
- Post Drill Guide (Provided)
- Chop Saw
- Smartphone w/ an Angle Finder App
- Bar Clamp
- Tape Measure
- Carpentry Square
- String
- $\frac{5}{16}$ " Drill Bit
- $\frac{1}{2}$ " Drill Bit

## Things to Know Before You Get Started

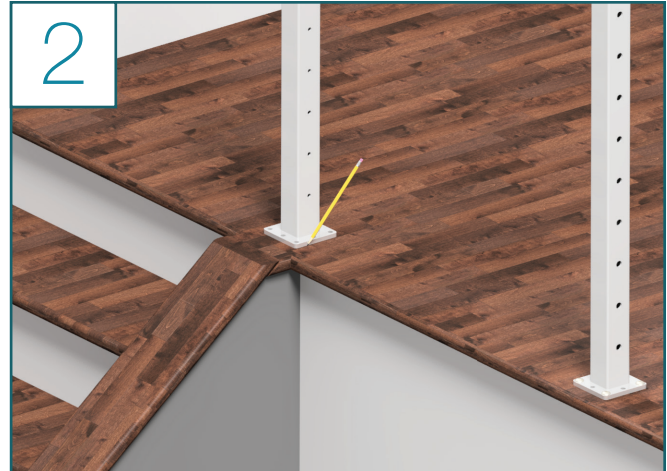
- Read over the provided material prior to the start of your installation
- This is suggested that at least two person take on this job



## Kneewall Transition Post Placement Instructions Steps



- Before mounting your Transition Post, make sure all your level posts are mounted
- Your Transition Post will need to line up with both your level run and your angled run
- This means your Transition Post must mount in a location where it is square to the level posts and square to the angled posts



- Hold the Transition Post in this location
- At this point, you can install your Transition Post at the top of your level run (*See Post Installation Instructions*)
- Be sure to anchor into sufficient blocking. Check both sides of the post to ensure it is level (*See Post Blocking Instructions*)

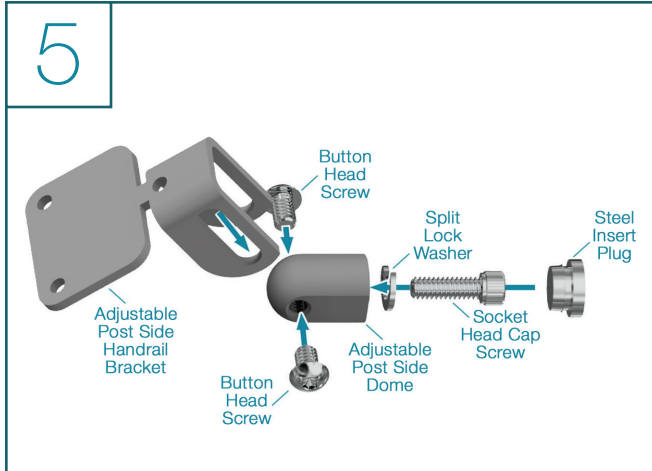


- Next, mount your lowest angled post
- This should be a B-Up
- Refer to your post mounting instructions to understand how to mount your post



- When your B-Up post is mounted, carefully slide the foot cover down if applicable
- Attach the handrail bracket to the post dome using the provided screws
- Repeat Steps 3-4 for any remaining angle foot posts on this run, if applicable

### Kneewall Transition Post Placement Instructions Steps (Continued)



- Assemble your entire Post Side Bracket
- For now, attach the bracket to the dome where the screws are centered on the bracket “ears”
- Set aside this bracket for future steps



- Identify which handrail is needed for your angled run
- Measure and cut this handrail 8”-12” longer than the run



- Using a rubber-padded clamp, secure the handrail length to the handrail bracket(s)
- Clamp the handrail so it is long enough to reach the Transition Post



- Using a partner, angle the handrail up to the Transition Post and place a smartphone with an angle finder app on top of the handrail
- Maneuver the handrail up and down until it:
  - Matches the angle of the knee wall
  - Is close enough to the Transition Post to suit your needs
  - It should be no more than 2” from the post

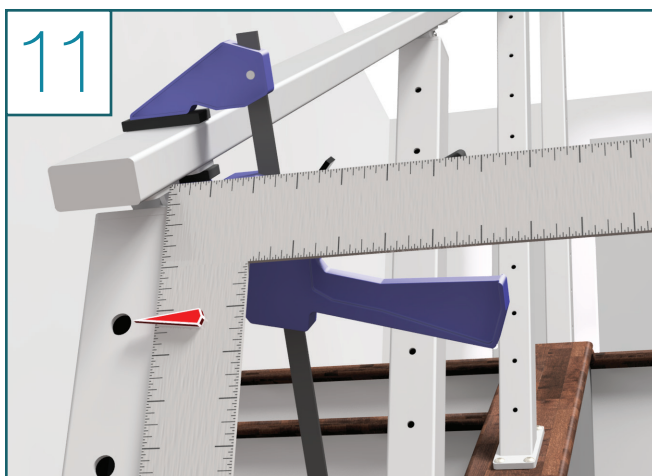
### Kneewall Transition Post Placement Instructions Steps (Continued)



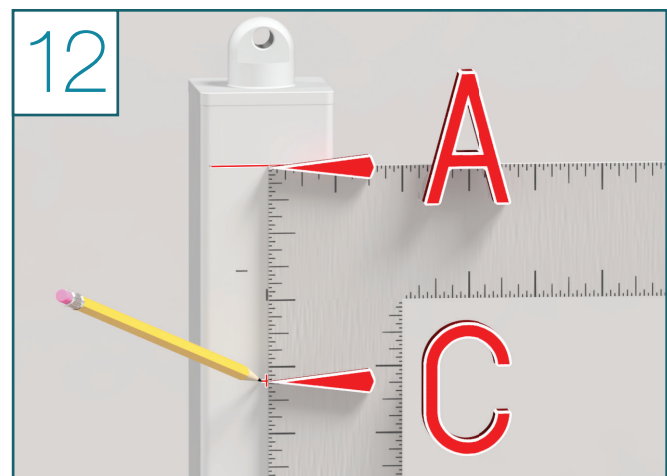
- Using a pencil, mark where the handrail meets the post in the very center of the Transition Post
- This will be **Mark A**



- Keeping the handrail in the same location and angle, place your assembled Post Side Bracket and hold it against the post so the dome is flush against the post & the bracket is flush against the underside of the handrail
- Using a pencil, make a mark on the post at the side and center of the Post Side Bracket dome
- Where these two lines meet will be **Mark B**, the front attachment point for the Post Mount Bracket



- Continue to hold the handrail in this location and angle
- Move down to the B-Up post
- Measure down from the handrail to the center of the top hole of your B-Up post
- Unclamp and remove the handrail

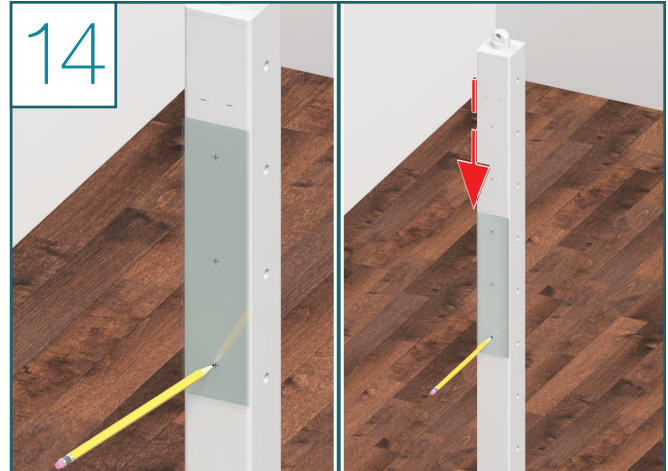


- Move back to the transition post
- Take the measurement from step 11 & measure the same distance down from **Mark A** and make a new mark in the center of the post
- This will be your highest cable hole and called **Mark C**
- Erase **Mark A**

### Kneewall Transition Post Placement Instructions Steps (Continued)



- Take the Drill Guide sent and place it centered on the post
- Align the top hole of the Guide so it is centered over **Mark C**

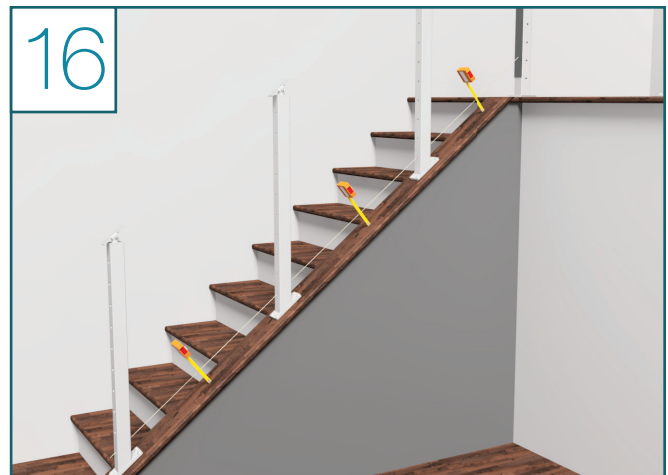


- Making sure to keep the Drill Guide aligned with Mark C, use a pencil mark each hole
- It will be necessary to slide the Drill Guide down the post to align with the last hole you marked and repeat until you have the desired number of holes
- The number of cable holes you mark will depend on the number of cables on your stair posts

*Note: If you only have 8 runs of cable for your Angled Foot Posts, you only need to mark 8 holes.*



- Before drilling, double-check for accuracy, by running a string through the lowest hole of your B-Up post all the way to the bottom hole of the Drill Guide
- Tape in place if desired

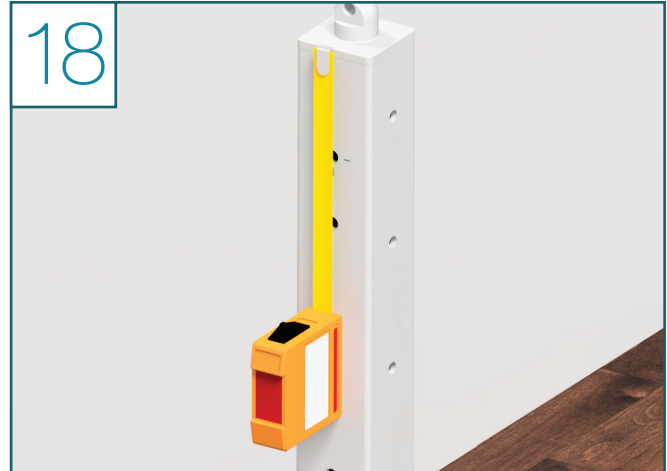


- Measure up from the knee wall surface to this string at several different points along the wall
- If the height from the knee wall to the string is consistent, your holes are in the correct location

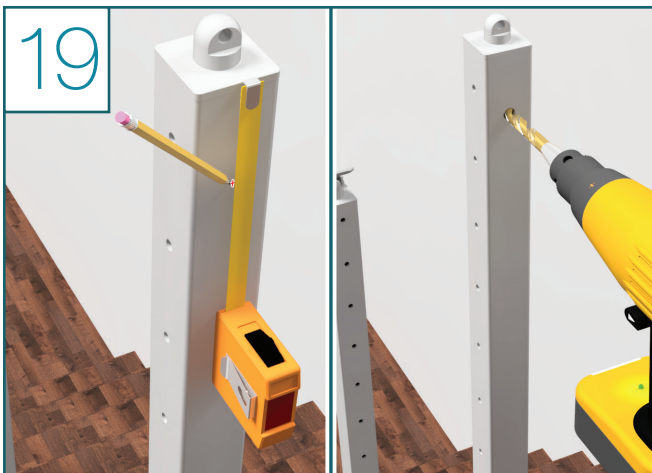
### Kneewall Transition Post Placement Instructions Steps (Continued)



- Using a  $\frac{5}{16}$ " drill bit, drill straight into your marked cable holes, and **Mark B** as well
- Touch up any of the holes with supplied touch up paint if desired



- Finally, measure from the top of the post plate to the center of the hole drilled over **Mark B**
- Erase **Mark B**



- Measure the same distance on the opposite side of the post and make a mark
- Drill a  $\frac{1}{2}$ " hole and touch up as needed
- This will be the access hole for attaching your Post Side Bracket hardware



- Continue installing your railing using the applicable instruction guides provided by Viewrail

## Congratulations! You're done with this section.

We'd love to see your work! Snap a few pics with your phone and send them to [pictures@viewrail.com](mailto:pictures@viewrail.com). Thanks for choosing Viewrail. Enjoy your new installation!