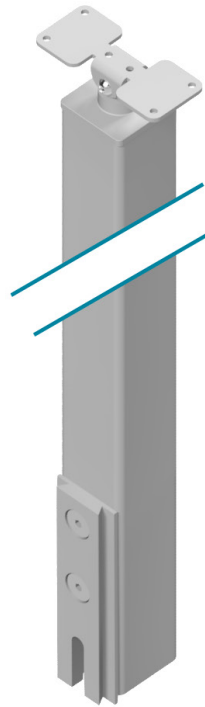
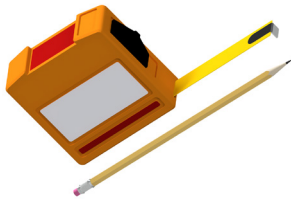


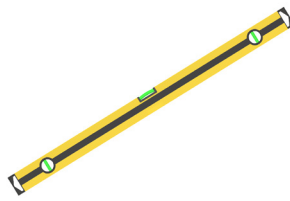
Aluminum Slim Side Mount Post Installation Guide



Tools Needed for this Installation



Tape Measure & Pencil



Level



Post Level (Provided)



Drill



1/4" Wood Drill Bit



T-30 Torx Bit (Provided)



Socket Wrench w/ 5/16" Socket



Dead Blow Hammer

Things to Know Before You Get Started

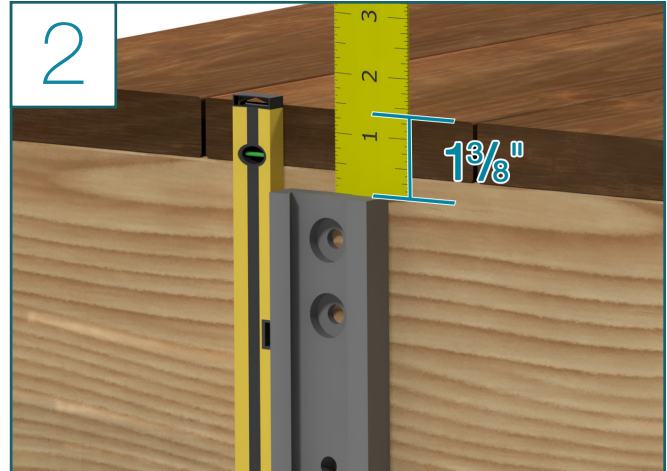
- Read over the provided material prior to the start of your installation
- All posts are designed to be mounted to a non-compressible surface. They will not mount properly to drywall or carpet



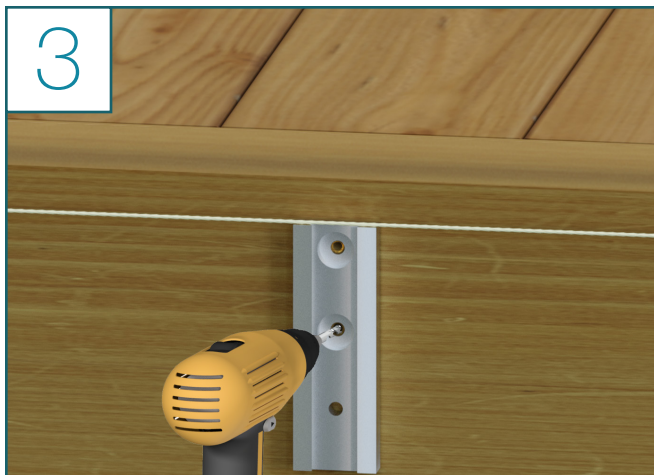
Aluminum Slim Side Mount Post Installation Steps



- Refer to your project drawing and lay out your posts, keeping the posts 4' or less apart
- Place your end posts in position and line up the middle of the post with where you will be mounting the dove tail plate
- It may be helpful to mark a vertical line at this point



- Place the dove tail plate into position, making sure the plate is square
- The top of the plate should be $1\frac{3}{8}$ " beneath the surface of the deck
- If you are mounting on a skirtboard / side of stairs, you will need to move the posts and mount wherever creates a 36" handrail height

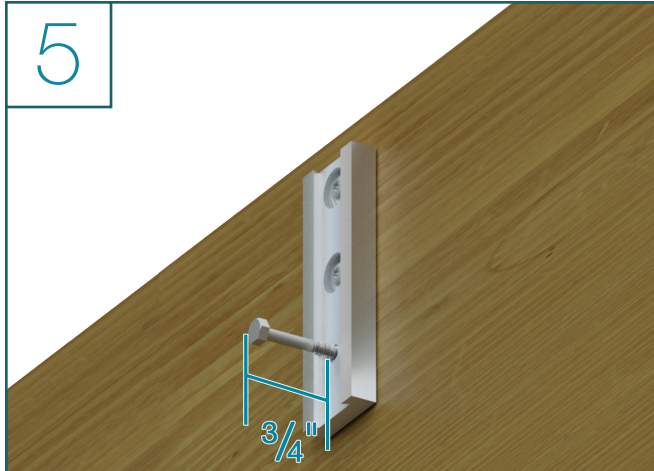


- Using a $\frac{1}{4}$ " drill bit, predrill all 3 holes



- With 3" or more of blocking, wood lags or through bolts can be used
- Use the T-30 drill bit to begin fastening the $\frac{5}{16}$ " x 4" wood lags into the top two holes of the dove tail plate
- Shim as needed until plumb

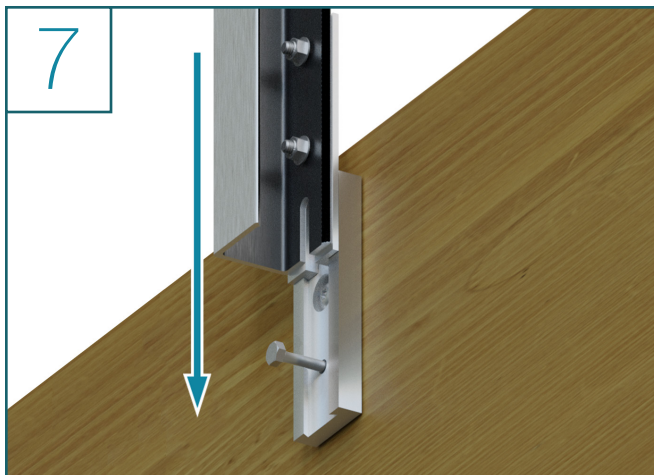
Aluminum Slim Side Mount Post Installation Steps (Continued)



- Once the top two lags are securely fastened, use the $\frac{5}{16}$ " wrench to begin fastening the $\frac{5}{16}$ " x 4" hex head lag into the bottom hole of the dove tail plate
- Leave $\frac{3}{4}$ " of the hex head lag exposed



- Slide the Foam Insert into each post
- This ensures that the rods will not rattle & make noise

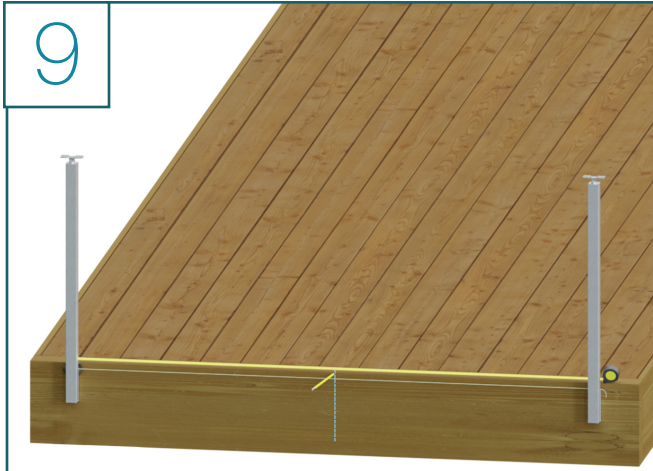


- Slide the post into the dove tail plate
- The slot cut into the bottom of the post should slide down and onto the exposed hex head lag



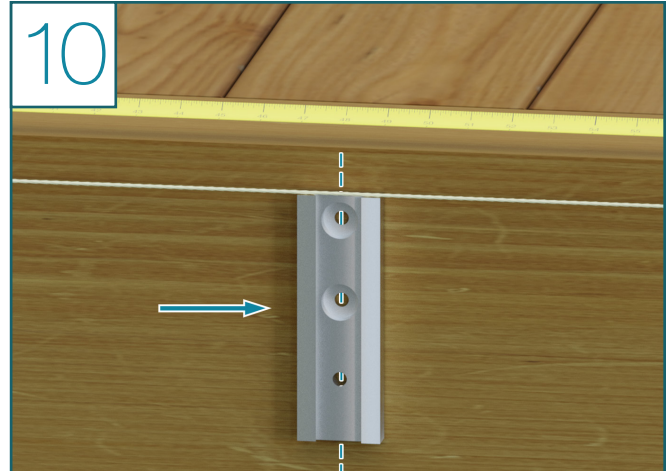
- Once the post is fully seated in place, use the wrench to reach up through the bottom of the post and fully fasten the hex head lag

Aluminum Slim Side Mount Post Installation Steps (Continued)



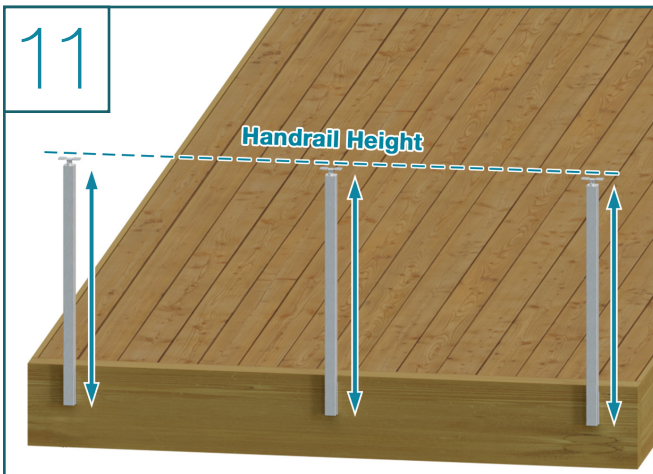
9

- Now that the end posts are in place, lay out a string or chalk line evenly between the posts
- Ensure that the string is $1\frac{3}{8}$ " beneath the surface of the deck



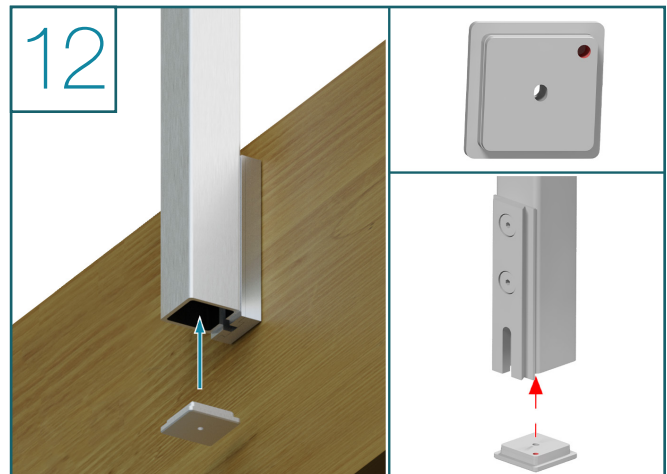
10

- Begin to set and mark the dove tail plates for the other posts on the run
- Repeat steps 2-8 for the remaining plates



11

- If needed, loosen and refasten the posts as needed to even out the handrail height for your local code compliance
- Handrails should never be less than 36" in height



12

- Using a dead blow hammer, tap the end cap into the bottom of each post

Note: If your railing system contains both Slim Side Mount Posts as well as standard Side Mount Posts (e.g. Outside or Inside Corner Posts) it will be necessary to ensure that you are using the correct 2x2 Post Press-In Plug. Slim Side Mount Posts use a plug with a oval cut through the center for drainage and a circular hole in one of the corners that doesn't go all the way through. The orientation of the plug in this application does not matter.

Congratulations! You're done with this section.

We'd love to see your work! Snap a few pics with your phone and send them to pictures@viewrail.com. Thanks for choosing Viewrail. Enjoy your new installation!